



Before You Begin

Read These Instructions Completely and Carefully



UNPACKING

- Unpack and carefully examine the product.
- Report any damage and save all packing materials if any part(s) were damaged during shipping.
- Do not attempt to install or use this equipment if it is damaged.

⚠️ WARNING – RISK OF FIRE, ELECTRIC SHOCK, INJURY, OR PROPERTY DAMAGE

- Failure to follow these instructions or altering equipment could result in injury or damage and void warranty. Venture assumes no liability for injury, damages or losses of any kind that may arise from the improper, careless, or negligent installation, handling or use of this product.
- This equipment must be installed and serviced per applicable codes and ordinances by qualified personnel (ex. licensed electrician) familiar with the operation of the product and any hazards involved.
- Disconnect power to the equipment and allow to cool before installing or servicing.
- Handle sharp edges with care. To prevent wiring damage, do not expose wiring to sharp edges.
- Verify that all electrical connections have been properly made and the fixture is grounded to avoid potential electrical shocks.
- It is the installers responsibility to confirm the proper input voltage is used with this equipment.
- Do not handle energized equipment when hands are wet, when standing on wet surfaces, or in water.
- This fixture must be mounted securely to a ceiling or structure to support the weight.
- This fixture may be provided with a factory-installed battery back-up option. Refer to the battery back-up user manual for installation and operating instructions.

SUPPLIER'S DECLARATION OF CONFORMITY (SDoC)

- This equipment complies with the limits for a Class A digital device, pursuant to Part 15 Subpart B of the FCC Rules. These limits are designed to provide reasonable protection against harmful interference when the equipment is operated in a commercial, industrial or business environment.

For warranty information refer to <https://www.venturelighting.com/resources/warranties.html>.

IMPORTANT SAFETY INFORMATION

- Operating temperature: -40°C to +40°C (-40°F to +104°F).
- Suitable for use in wet, damp, and dry locations.
- All wiring and connectors used with this equipment shall be rated a minimum of 90°C (194°F).
- Green ground screw provided in proper location. Do not relocate.

Installation Instructions

- 1:** Disconnect power from the existing luminaire and follow proper lockout/tagout procedures before beginning installation or maintenance.
- 2:** Remove the existing luminaire (if present) and dispose of per local requirements.
- 3: Installation Preparation:** The luminaire is provided with one knockout hole for wiring. If an additional knockout hole location is required, it must be drilled out to avoid damaging the housing.

3A: For Surface Mounting

Use the hardware provided (anchors, screws, washers) to secure the 2 mounting brackets to the structural mounting surface (Figure B). Brackets should be spaced 35.4" (900mm) apart on center (Figure C).

Secure the 2 mounting brackets to the housing recesses by firmly pressing them into place until both sides of the brackets are secure (Figure A and Figure C).

3B: For Chain Suspended Mounting

Secure the 2 mounting brackets to the housing recesses by firmly pressing them into place until both sides of the brackets are secured (Figure A).

Attach a V-bracket to each mounting bracket by spreading the ends of the V-bracket apart and then inserting the legs into the holes in the side of the mounting bracket.

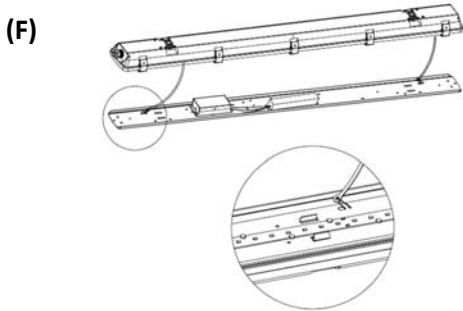
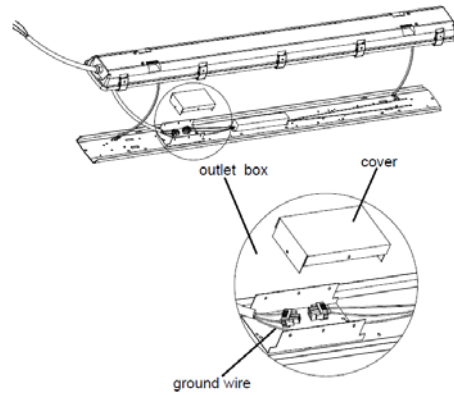
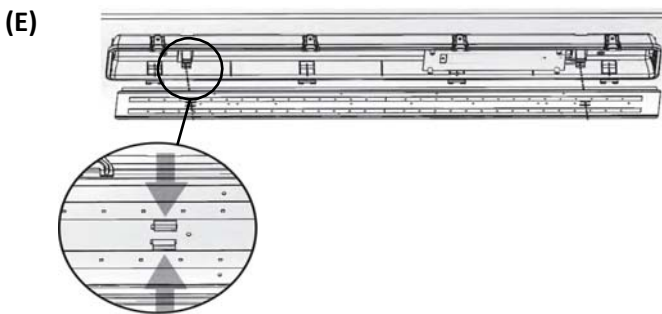
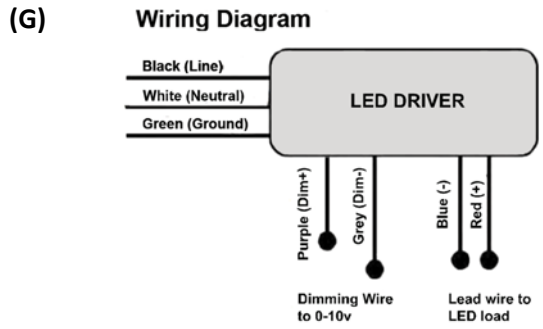
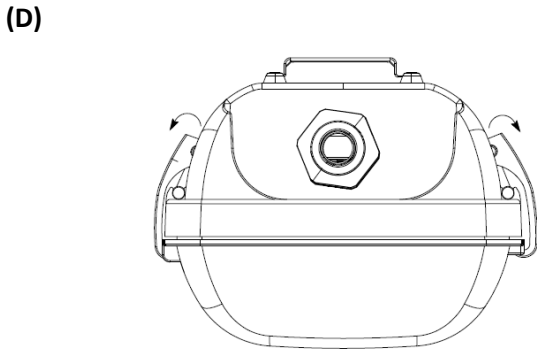
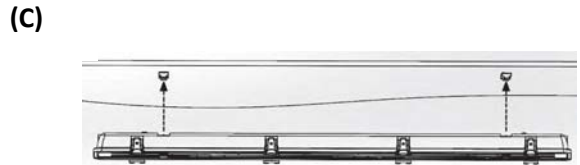
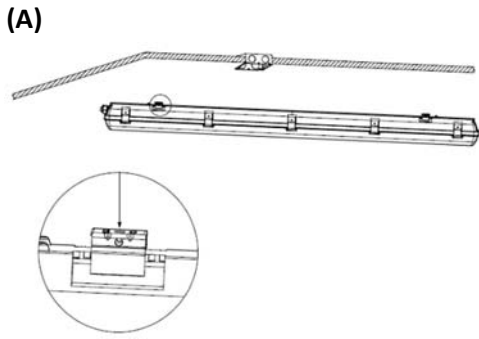
Hang fixture from customer supplied chain using V-brackets.

- 4:** Remove the fixture lens after releasing the latches by pulling the top of the latch away from the housing (Figure D).
- 5:** Without touching the LED's, detach the LED tray from the fixture (Figure E).
- 6:** Ensure the LED tray is secured with the safety tethers (Figure F).
- 7:** Make the necessary wiring connections as shown in the wiring diagram (Figure G). Connect power to driver through the outlet box as shown in the figure using the supplied water-tight strain relief (the flexible cord is not provided). Make sure to snap the cover to the outlet box after wiring.

NOTE: The correct polarity of the dimming connections is essential to ensure proper operation.

NOTE: If not using the dimming functionality, insulate the Dim(+) (purple) and Dim(-) (gray) wires separately (bare wires should not be left exposed). DO NOT connect the Driver Dim(+) (purple) to the Driver Dim(-) (gray) wire as the fixture will not operate correctly.

- 8:** Replace and secure the LED tray (Figure E).
- 9:** Replace and secure the fixture lens (Figure D).
- 10:** Power can now be restored to the fixture.



(800) 451-2606
 7905 Cochran Road, Suite 300
 Glenwillow, Ohio 44139 USA
 E-mail: Venture_Lighting@VentureLighting.com
VentureLighting.com

