

DLC® Model# WPA-44CEA



Description

Venture Lighting's Defender Wallpack luminaires are low profile, light weight, and designed for long life with low maintenance and great performance. These LED luminaires are designed to quickly and easily upgrade existing wall pack fixtures.

Construction

Rugged die cast housing finished in a durable powder coat finish and with vandal resistant polycarbonate lens. The high performance LED sources are mounted to ensure proper thermal management of the system. The design allows for a cooler running LED chip which leads to longer lifetime, better efficacy, and color consistency and sealed to eliminate the threat of contaminants damaging the components. The standard fixture color is bronze, custom colors available upon request.

Electrical

The power supply has a range of 120-277V, 50/60 Hz. 0-10V DC dimming capability is standard. The luminaires are rated for wet locations. Button photocell accessory can easily be mounted into the fixture.

Mounting

Each fixture is shipped with a quick mount plate to allow for easy installation to a recessed junction box.

Product Performance

Wattage	44W
Lumens	5010
Correlated Color Temperature (CCT)	5000K
Color Rendering Index (CRI)	80+
Lumen Maintenance @50,000 hours*	93%
Calculated L70 @ 25°C Ambient in Hours*	263,000
Replaces HID Wattage	250W
Operating Temperature Range	-40°F to 104°F (-40°C to 40°C)

Physical Characteristics

Fixture Color	Bronze
Length	6.6"
Width	8.3"
Height	5.5"
Weight	5.8 lbs

Electrical Characteristics

Amperage Draw (Input Volts/Amps)	120/0.38 208/0.23 240/0.20 277/0.17
Surge Protection	10kA

Regulatory Qualifications

cULus Listed

DLC® Qualified - Model# WPA-44CEA

Lighting Facts Qualified

Rated for wet locations

Accessories

PH56903 Button Photocell (120-277V)

AC16546 BACK PLATE, 44W DEFENDER WALLPACK - BRONZE

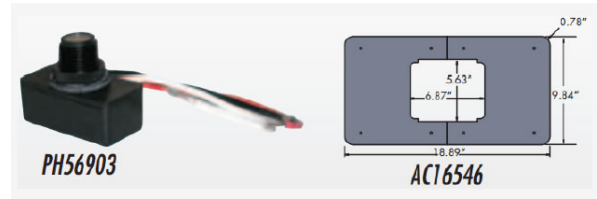
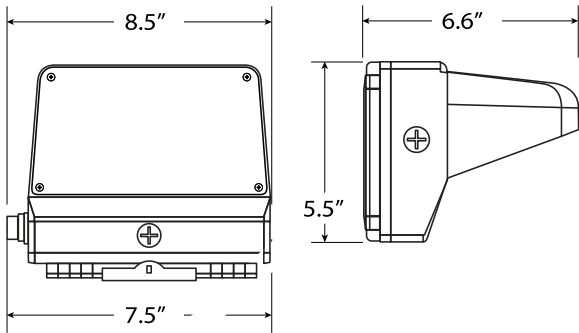
SP12714 - 120-277V Surge Protector

Notes:

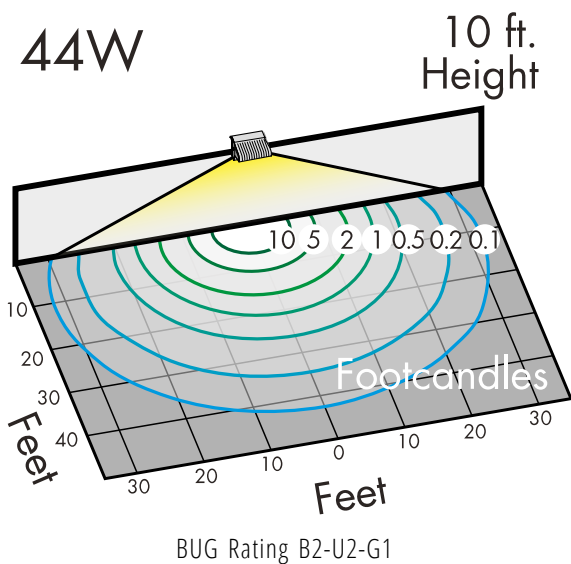
*Lumen maintenance data is based on LED testing per IESNA LM-80 and projected per IESNA TM-21



Venture Defender - 44W LED Wallpack



Accessories



(800) 451-2606
 Fax: (800) 451-2605
 7905 Cochran Rd, Suite 300
 Glenwillow, Ohio 44139
 E-mail: Venture_Lighting@VentureLighting.com
VentureLighting.com

