

VFLOOD - 110W LED FLOOD LIGHT



Catalog Number
Type
Date
Notes

Description

Venture Lighting's VFlood is a low profile, lightweight LED Flood Light fixture, designed for long life and low maintenance. The fixtures are designed to upgrade existing flood fixtures quickly and easily. Twist lock photocell receptacle and shorting cap included with the fixture.

Performance

- CCT options: 4000K or 5000K
- CRI: ≥ 70
- Operating Temperature Range: -40°F to 104°F (-40°C to 40°C)

Construction

- Rugged die cast aluminum housing
- Durable polyester powder coat finish
- Twist lock photocell receptacle and shorting cap included with the fixture

Optics

- Clear tempered glass lens
- Optical chamber is sealed and gasketed

Electrical

- Input voltages available: 120-277V or 277-480V, 50/60 Hz
- Power Factor $\geq 90\%$
- THD $\leq 20\%$
- 0-10V DC Continuous dimming capability
- 10kA surge protection

Mounting

The fixture is designed for use with various mounting accessories: 6" straight arm extension, adjustable slipfitter (fits a 2-3/8" tenon) or U-bracket (yoke). All mounting accessories are ordered separately.

Warranty

- 5-year warranty

Compliance

- cULus Listed
- DLC® Premium Qualified
- IP65 Rated for wet locations
- BAA/TAA, available upon request



Ordering & Model Number Information

Luminaire Wattage	Input Voltage	Order Code	Product Description	DLC Model Number	BAA/TAA available upon request	Replaces Existing HID Wattage
110W	120-277V	FL26805	VFL 110W 4000K; 120-277V; Bronze	FA-110-NA		Up to 400W
		FL63170	VFL 110W 5000K; 120-277V; Bronze	FA-110-CA		
	277-480V	FL17192	VFL 110W 4000K; 277-480V; Bronze	FA-110-NB		
		FL52037	VFL 110W 5000K; 277-480V; Bronze	FA-110-CB		

Accessories

Mounting Accessories:

- FL64171 U-bracket for 110W/121W LED VFlood
- FL22402 6" Straight arm, square pole - bronze
- FL25107 Adjustable slipfitter for LED VFlood
- FL26815 6" Straight arm, 4" dia. round pole - bronze

Photocell Accessories:

- PH12415 3-Pin Twist lock photocell (120-277V)
- PH87145 3-Pin Twist lock photocell (347V)
- PH81156 3-Pin Twist lock photocell (480V)

Wireless Control Accessories:

- WCN-7P-UNV Synapse® twist lock controller
- WCG-450 Synapse® Gateway

Miscellaneous Accessories:

- PH81975 Twist lock shorting cap
- SP12714 120-277V surge protector
- SP19245 347-480V surge protector



Revision: 04, 15-Sept 2022

VFLOOD – 110W

Performance Data

120-277V

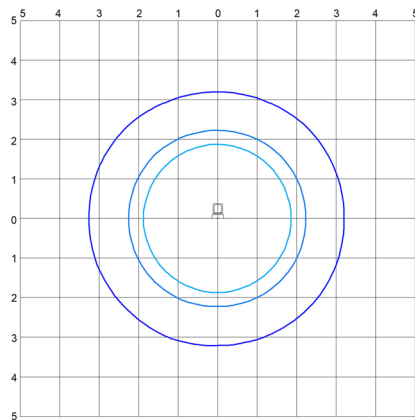
Wattage	CCT	Lumen Output	CRI	Lumen Maint. @50,000 hours†	Calc L70 @25°C Amb. (hrs)†	Fixture EPA	Amp. Draw (A)	IES Files
110W	4000K	15128	≥ 70	89%	145,000	0.32	1.37A Max	IES File
	5000K	15414						IES File

277-480V

Wattage	CCT	Lumen Output	CRI	Lumen Maint. @50,000 hours†	Calc L70 @25°C Amb. (hrs)†	Fixture EPA	Amp. Draw (A)	IES Files
110W	4000K	15418	≥ 70	89%	145,000	0.32	0.71A Max	IES File
	5000K	15924						IES File

† Lumen maintenance data based on LED testing per IESNA LM-80 and projected per IESNA TM-21

Photometrics



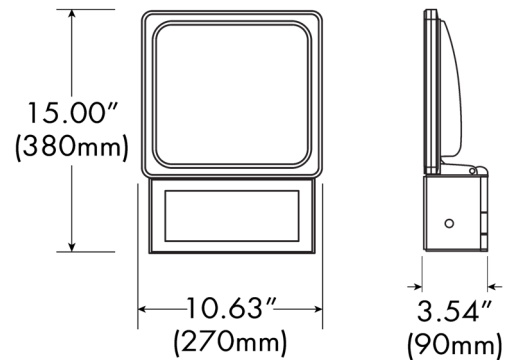
15ft Mounting Height

Note: divisions are multiples of mounting height.

Wattages	B-U-G Rating
110W	B3-U2-G1

Dimensions

110W
Weight: 13.1 lbs (1.19 kg)



(800) 451-2606

6675 Parkland Blvd., Suite 100

Solon, Ohio 44139 USA

Email: Venture_Lighting@VentureLighting.com

VentureLighting.com

