



Description

Venture Lighting's LED Volumetric troffers are durable, long lasting, high-quality, low maintenance lighting fixtures. Each are designed to be quick and easy upgrades to existing fluorescent fixtures.

Construction

The housing unit is constructed from heavy-duty aluminum. Fixtures are finished with a durable white polyester coating.

Electrical

The power supply has a range of 120V-277V, 50/60 Hz. 0-10V DC dimming capability is standard. Rated for dry and damp locations.

Mounting

The fixture is designed for replacing fluorescent fixtures in T-grid drop ceiling applications.

Warranty

For warranty information refer to: www.venturelighting.com/resources/warranties

Product Performance

| | |
|------------------------------------|--------------------------------|
| Wattage | 26W |
| Lumens | 3070 |
| Correlated Color Temperature (CCT) | 3500K |
| Color Rendering Index (CRI) | 80 |
| Life Hours | 50,000 |
| Replaces Fluorescent Troffer | 2x2 |
| Operating Temperature Range | -13°F to 113°F (-25°C to 45°C) |

Physical Characteristics

| | |
|---------------|---------|
| Fixture Color | White |
| Length | 23.7" |
| Width | 23.7" |
| Height | 3.7" |
| Weight | 8.4 lbs |

Electrical Characteristics

| | |
|----------------------------------|-------------------------------------|
| Amperage Draw (Input Volts/Amps) | 120/0.23 208/0.14 240/0.12 277/0.10 |
|----------------------------------|-------------------------------------|

Regulatory Qualifications

UL Listed; IC-Rated; Rated for dry and damp location

Accessories

AC25420 – 3/8" 3-Wire 14/3 600V Max 6ft Flex Whip

BB26329 – LED Fixture Battery Back-up

LN17209 – Replacement lens 2x2 Volumetric Troffer

Add suffix "-EM" for factory installed fixture with Battery Back-up (Lumens: 2460) (Temp Range: 0-50°C)†

Add suffix "-PP" for factory installed fixture with PowPack

Add suffix "-WP" for factory installed fixture with 6ft Whip (AC25420)

Revision: 07, 09-Sept 2022

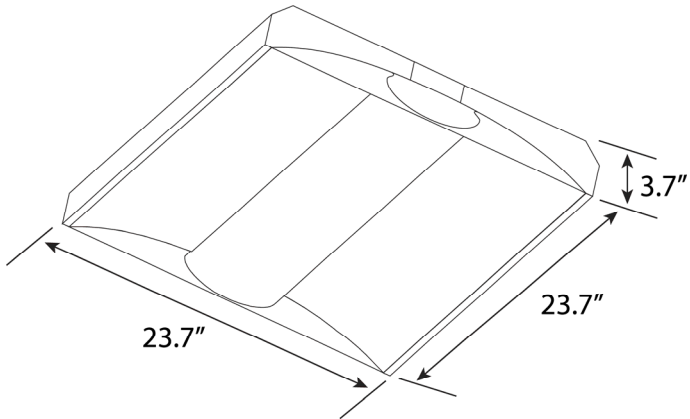
Notes

† Operating temperature range for battery back-up



Venture 2x2 Volumetric Troffer

Dimensions



(800) 451-2606

6675 Parkland Blvd., Suite 100

Solon, Ohio 44139 USA

Email: Venture_Lighting@VentureLighting.com

VentureLighting.com

