



### Description

Venture Lighting's LED Volumetric troffers are durable, long lasting, high-quality, low maintenance lighting fixtures. Each are designed to be quick and easy upgrades to existing fluorescent fixtures.

### Construction

The housing unit is constructed from heavy-duty aluminum. Fixtures are finished with a durable white polyester coating.

### Electrical

The power supply has a range of 120V-277V, 50/60 Hz. 0-10V DC dimming capability is standard. Rated for dry and damp locations.

### Mounting

The fixture is designed for replacing fluorescent fixtures in T-grid drop ceiling applications.

### Warranty

For warranty information refer to: [www.venturelighting.com/resources/warranties](http://www.venturelighting.com/resources/warranties)

### Product Performance

Wattage	48W
Lumens	5730
Correlated Color Temperature (CCT)	3500K
Color Rendering Index (CRI)	80
Life Hours	50,000
Replaces Fluorescent Troffer	2x4
Operating Temperature Range	-13°F to 113°F (-25°C to 45°C)

### Physical Characteristics

Fixture Color	White
Length	47.7"
Width	23.7"
Height	3.7"
Weight	13.1 lbs

### Electrical Characteristics

Amperage Draw (Input Volts/Amps)	120/0.41 208/0.25 240/0.22 277/0.20
----------------------------------	-------------------------------------

### Regulatory Qualifications

UL Listed; IC-Rated; Rated for dry and damp location

### Accessories

AC25420 – 3/8" 3-Wire 14/3 600V Max 6ft Flex Whip

BB26329 – LED Fixture Battery Back-up

LN17615 – Replacement lens 2x4 Volumetric Troffer

Add suffix "-EM" for factory installed fixture with Battery Back-up (Lumens: 2740) (Temp Range: 0-50°C)†

Add suffix "-PP" for factory installed fixture with PowPack

Add suffix "-WP" for factory installed fixture with 6ft Whip (AC25420)

Revision: 07, 09-Sept 2022

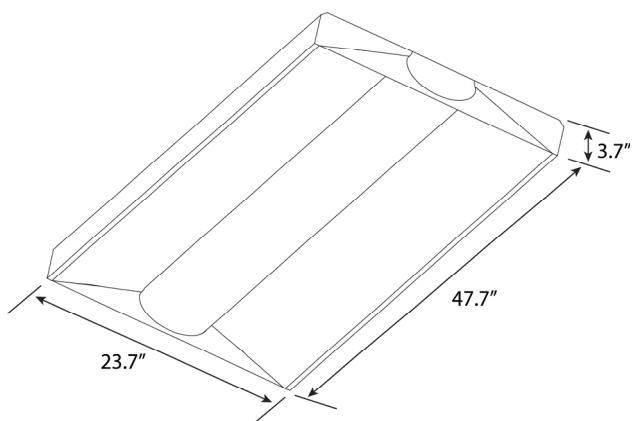
### Notes

† Operating temperature range for battery back-up



# Venture 2x4 Volumetric Troffer

## Dimensions



**(800) 451-2606**

6675 Parkland Blvd., Suite 100

Solon, Ohio 44139 USA

Email: [Venture\\_Lighting@VentureLighting.com](mailto:Venture_Lighting@VentureLighting.com)

**VentureLighting.com**

