

CCT Selectable Switch



Wattage Selectable Switch

## Description

Venture Lighting's color temperature selectable and wattage selectable LED VSlim Highbay is capable of changing to 3 different CCT settings (3500K, 4000K, 5000K) and 3 different wattage settings (3 light levels) with a simple slide switch. These field-adjustable fixtures are preset to the highest wattage and 5000K CCT. The flexible selection capability allows for a cost effective method to reduce stocking inventory by 88% (1 SKU instead of 9). This is an ideal choice for commercial, industrial, retail, or residential applications. Fixtures can be used in storage/utility areas, coves, display cases, shops, task, and general area lighting.

## Construction

The fixture is powder-coated for superior corrosion resistance. These versatile fixtures are supplied with an acrylic (PPMA) low glare frosted lens. Knock-out locations are available on each end of the fixture as well as on top of the fixture for through-wiring.

## Electrical

The power supply has a range of 120-277V, 50/60 Hz. 1-10V DC continuous dimming capability is standard. Factory-installed motion sensor options are available.

## Mounting

Suitable for surface mount or suspension mount applications. Each fixture is supplied with a pair of surface mount brackets. Fixtures are designed for individual or continuous row mounting. The compact size of this lightweight design allows for easy installation/replacement of existing fixtures.

## Warranty

For warranty information refer to: [www.venturelighting.com/resources/warranties](http://www.venturelighting.com/resources/warranties)

DLC® Model # SM5-8H-90/75/65-D835/40/50(-EM, -S)

## Product Performance

Wattage	3500K CCT	4000K CCT	5000K CCT
	Lumen Output	Lumen Output	Lumen Output
90W	11790	11880	11970
75W	10275	10350	10425
65W	9100	9165	9230
Color Rendering Index (CRI)	≥ 80		
Lumen Maintenance @50,000 Hrs*	91%		
Calculated L70 @25°C Ambient (Hrs)*	190,000		
Operating Temperature Range	-4°F to 122°F (-20°C to 50°C)		

## Physical Characteristics

Fixture Color	White
Length	94.2" (2392mm)
Width	3.4" (85.2mm)
Height	3.6" (90.5mm)
Weight	9.0 lbs (4.1 kg)

## Electrical Characteristics

Input	120-277V, 50/60 Hz, 0.76A Max
Power Factor	≥ 90%
THD	≤ 10%
Dimming	1-10V DC continuous to 10%

## Regulatory Qualifications

cULus Listed
DLC® Qualified
Damp location rated

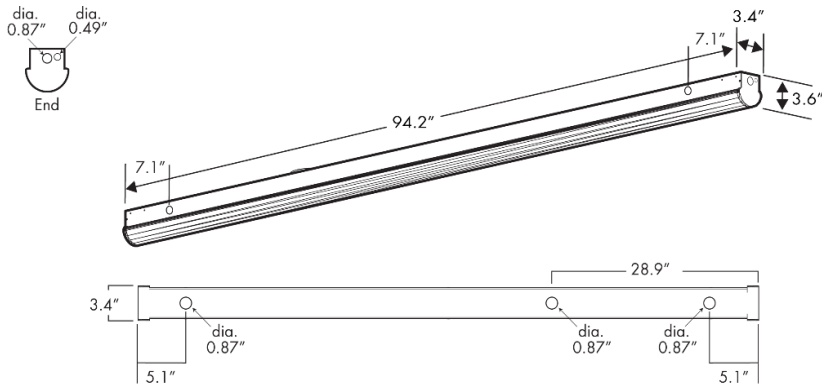
## Accessories

Add "-EM" to order code for a factory-installed battery backup
Add "-WP1" to order code for a factory-installed 6ft 3-wire whip on end (AC25420)
Add "-WP2" to order code for a factory-installed 6ft 3-wire whip on back (AC25420)
Add "-S1" to order code for a factory-installed Motion Sensor (PH41623)
Add "-S2" to order code for a factory-installed Motion/Daylight Dimming Sensor (PH77409)
AC13858 – V-Hooks (for suspension mount)
AC13812 – V-hooks and Surface Mount Clips (for suspension mount)
AC20156 – V-hooks with 6ft chains (for suspension mount)
AC35187 – Row alignment accessory (for continuous row mounting)
KT12139 – 4ft wire guard kit, (2) are required for 8ft fixtures
LN18734 – 8ft replacement lens, acrylic (PPMA)

Revision: 06, 08-Mar 2023

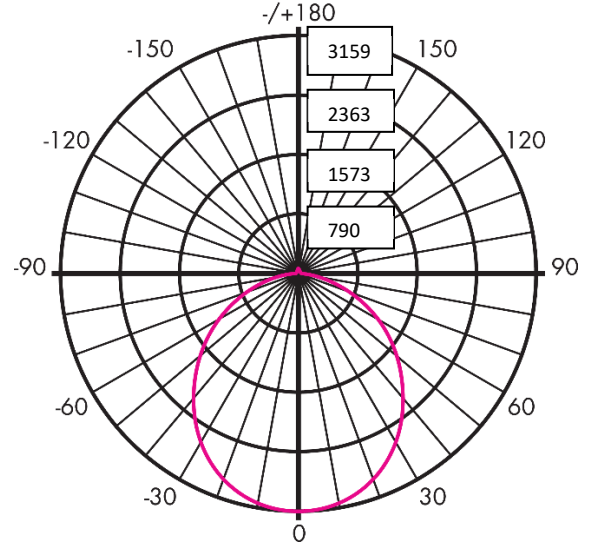
# Select-Pro™ CCT/Wattage Field-Adjustable LED VSlim Highbay

## Dimensions



## Photometrics

### Luminous Intensity Distribution Diagram



Max Cand = 3157

**(800) 451-2606**

6675 Parkland Blvd., Suite 100

Solon, Ohio 44139 USA

Email: [Venture\\_Lighting@VentureLighting.com](mailto:Venture_Lighting@VentureLighting.com)

**VentureLighting.com**

