

Order Code / DLC Model No: PB122-40-UNV-C&W-H



### Description

Venture Lighting's Select-Pro High Lumen Back-lit LED Panels are low profile, lightweight, and designed for long life and low maintenance. These luminaires are designed to quickly and easily upgrade existing fluorescent fixtures and be more versatile than other LED panels. Each panel is capable of changing to 3 different CCT settings (3500K, 4000K, 5000K) and 3 different wattage settings (3 light levels) with a simple slide switch. The flexible selection capability allows for a cost-effective method to reduce stocking inventory by 88% (1 SKU instead of 9).

### Construction

The housing features a metal back plate and metal driver with 7 knockout integrated junction box. The seamless frame is constructed of aluminum that is painted white.

### Optics

Each LED has an integrated wide distribution optic designed to provide even illumination without producing visible hot spots.

### Electrical

The driver comes prewired with one black input lead (hot), one white input lead (neutral) and one green ground lead. 0-10V DC continuous dimming capability is standard.

### Mounting

The panel can be mounted in a recessed ceiling, surface mounted (optional), or suspended (optional). The panel is designed for replacing fluorescent fixtures in T-bar drop ceilings. The panel back plate includes integral T-bar clips for installation onto standard 15/16" T-grid ceilings or narrow 9/16" T-grid ceilings.

### Warranty

For warranty information refer to: [www.venturelighting.com/resources/warranties](http://www.venturelighting.com/resources/warranties)

### Product Performance

Wattage	3500K CCT Lumen Output	4000K CCT Lumen Output	5000K CCT Lumen Output
40W	5000	5400	5100
30W	3900	4100	4000
25W	3300	3450	3400
Color Rendering Index (CRI)			≥ 80
Life Hours			≥ 50,000
Operating Temperature Range			-13°F to 104°F (-25°C to 40°C)

### Physical Characteristics

Fixture Color	White
Panel Size	2x2
Width	23.74" (603mm)
Length	23.74" (603mm)
Height	1.48" (37.50mm)
Weight	4.30 lbs (1.95 kg)

### Electrical Characteristics

Input	120-277V, 60Hz, 0.30A Max
Power Factor	≥ 90%
THD	≤ 20%
Dimming	0-10V DC continuous dimming capability

### Regulatory Qualifications

cETLus Listed; DLC® Premium Qualified

Type IC, inherently protected luminaire

Dry and damp location rated (IP20)

### Accessories

KT48112 2X2 Surface Mount Kit, White

KT18101 2X2 Drywall Mount Kit, White

KT23279 Battery Backup Kit, 2X2, 2X4

AC25420 3/8" 3-Wire 14/3 600V Max 6ft Flex Whip

Add suffix "-WP" to fixture model # for a factory-installed 6ft whip (AC25420)

Add suffix "-EM" to fixture model # for a factory-installed battery backup (KT23279)

Revision: 01, 06-Feb 2023

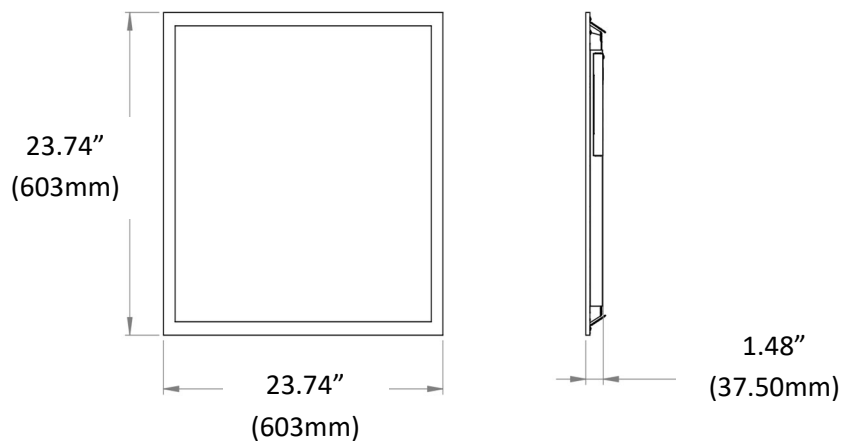
### Notes:

- All field-adjustable panels are preset at the highest wattage & 4000K CCT



# Select-Pro High Lumen 2x2 LED Panel

## Dimensions



**(800) 451-2606**

6675 Parkland Blvd., Suite 100

Solon, Ohio 44139 USA

Email: [Venture\\_Lighting@VentureLighting.com](mailto:Venture_Lighting@VentureLighting.com)

**VentureLighting.com**

