

DLC® Model# HBL3-160NADF



Description

Venture Lighting's new Linear High Bay series offers a cost-effective and high-quality lighting solution which is ideal for a wide variety of lighting applications such as: distribution centers, retail or big box spaces, warehouses/manufacturing facilities, schools with multiple purpose gymnasiums and other industrial applications. Robust construction and fully dimmable, it delivers exceptional DLC premium performance by balancing high lumen output and wattage savings making it a perfect replace both traditional fluorescent and HID high bay fixtures. Flexible product series with motion sensor, emergency battery pack, flexible conduit, wire-guards and a range of mounting options from cable, pendant and surface mounting making it suitable for virtually any lighting requirement.

Construction

The housing is constructed from cold rolled steel to provide rigidity and strength. Each housing is finished with a white polyester powder coat. Each fixture is supplied with a pair of V-Hooks and 2 pcs of 1 meter long chain

Optics

Available in clear polycarbonate lens version for increased output or frosted lens version for providing diffused light distribution.

Electrical

The power supply has a range of 120-277V, 50/60 Hz. 0-10V DC dimming capability is standard. The luminaire is rated for damp and dry locations.

Warranty

5 year limited warranty

Product Performance

| | |
|------------------------------------|---|
| Wattage | 162W |
| Lumens | 21060 |
| Lumens per Watt | 125 |
| Correlated Color Temperature (CCT) | 4000K |
| Battery Backup Mode Lumens | 3090 |
| Color Rendering Index (CRI) | 80 |
| Life Hours | 50,000 |
| Operating Temperature Range | -22°F to 113°F (-30°C to 45°C) |
| Replace Existing Luminaire | Up to 400W HID or T8 6 lamp fluorescent |

Physical Characteristics

| | |
|---------------|-----------------------------|
| Lens Type | Frosted |
| Fixture Color | White Polyester Powder Coat |
| Length | 23.8" |
| Width | 12.6" |
| Height | 3.6" |
| Weight | 10.4 lbs (4.7 kg) |

Electrical Characteristics

| | |
|----------------------------------|-------------------|
| Amperage Draw (Input Volts/Amps) | 120/1.40 277/0.60 |
|----------------------------------|-------------------|

Regulatory Qualifications

cULus Listed; Dry and damp rated

Model# HBL3-160NADF

Accessories

AC24512 - 1 meter chain with S-hooks (2pcs) (replacement)

PH41623 - Dry/damp rated motion/on-off sensor only

PH77409 - Dry/damp rated motion/on-off/photocell/dimming sensor

KT37505 - Pendant mount kit with hardware (white)

KT31549 - Bluetooth PIR Sensor (white)

LN31105 - Clear Lens for field replacement

LN31110 - Frosted Lens for field replacement

KT37304 - Surface mount kit (white)

KT42515 - Wire guard kit with hardware

AC35207 - V-Hook & Chain (2pc Set Replacement)

AC28841 - V-Hook (2pc Set)

Factory Installed Accessories

Add suffix "-S1" for a MOTION ONLY Sensor; Part # PH41623

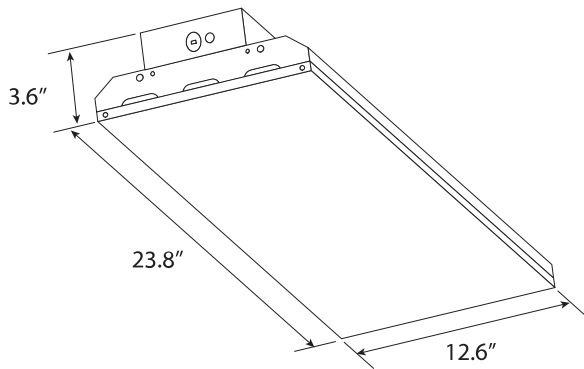
Add suffix "-S2" for a MOTION/DIM/PHOTOCELL Sensor; Part # PH77409

Add suffix "-S5" for a Bluetooth PIR Sensor; Part # KT31549

Add suffix "-EM" for a 17W battery back-up



Venture 162W LED Linear Highbay



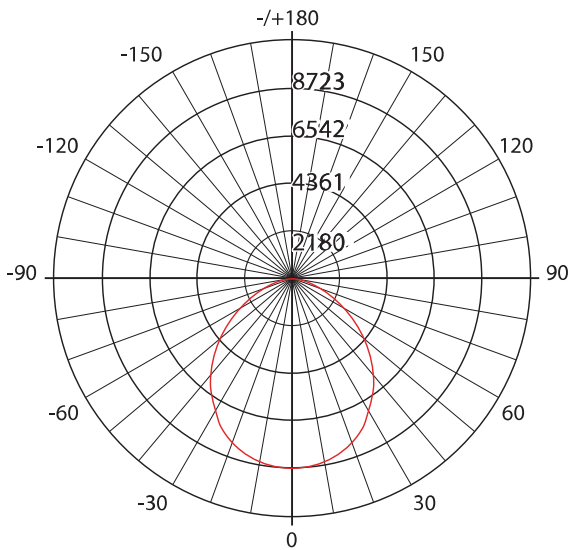
Factory installed plug and cable options:



NEMA L5-15P NEMA L6-15P NEMA L7-15P NEMA L18-20P

- Add suffix "-P6-C" for 120V NEMA L5-15P molded plug with 11ft cable
- Add suffix "-P10-C" for 208V NEMA L18-20P molded plug with 11ft cable
- Add suffix "-P7-C" for 240V NEMA L6-15P molded plug with 11ft cable
- Add suffix "-P8-C" for 277V NEMA L7-15P molded plug with 11ft cable

Luminous Intensity Distribution Diagram



(800) 451-2606
Fax: (800) 451-2605
7905 Cochran Rd, Suite 300
Glenwillow, Ohio 44139
E-mail: Venture_Lighting@VentureLighting.com
VentureLighting.com

