



Description

Venture Lighting's highbays are low profile, lightweight, and designed for long life with low maintenance and great performance. These LED luminaires are designed to upgrade existing HID and fluorescent fixtures quickly and easily.

Construction

The high-performance LED source is mounted to an aluminum heatsink which is designed to ensure proper thermal management of the system. This design allows for a cooler running LED chip which leads to longer lifetime, better efficacy, and color consistency. Fixtures are rated for an ambient operating temperature range -22°F to 104°F (-30°C to 40°C).

Optics

The units are equipped with a 120-degree beam spread for higher mounting heights and are also field adjustable with an accessory lens.

Electrical

The power supply has a range of 120V-277V, 50/60 Hz. 0-10V DC dimming capability is standard. Fixtures are IP65 rated, suitable for wet locations.

Warranty

For warranty information refer to: www.venturelighting.com/resources/warranties

Notes

*Lumen maintenance data is based on LED testing per IESNA LM-80 and projected per IESNA TM-21

Product Performance

Wattage	100W
Lumens	14120
Correlated Color Temperature (CCT)	5000K
Color Rendering Index (CRI)	80
Lumen Maintenance @ 50,000 hours*	89%
Calculated L70 @ 25°C Ambient in Hours*	155,000
Beam Angle (°)	120°
Operating Temperature Range	-22°F to 104°F (-30°C to 40°C)
Replaces HID Wattage	250W

Physical Characteristics

Diameter	10.25"
Input Cable Length	1ft
Safety Cable Length	3ft
Fixture Color	Black
Height	9.0"
Weight	8.2 lbs

Electrical Characteristics

Amperage Draw (Input Volts/Amps)	120/0.9 208/0.44 240/0.39 277/0.34
----------------------------------	------------------------------------

Regulatory Qualifications

UL Listed

Accessories

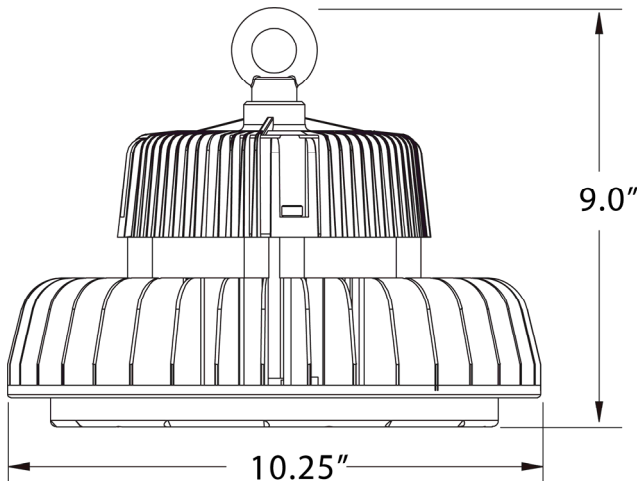
AC62148 – Pendant mount kit (black) for 3/4" NPT
KT18215 – Adjustable U-Bracket for 150W-300W
KT12089 – Motion/Dim/Photocell sensor mount kit
LN11476 – 120° Clear tempered glass lens for 100W VSolutions HB
LN14399 – 120° Frosted tempered glass lens for 100W VSolutions HB
LN17698 – 120° Clear polycarbonate lens for 100W VSolutions HB
LN19016 – 60° Polycarbonate lens for 100W VSolutions HB
LN28315 – 16" Clear acrylic drop lens for 100W and 300W VSolutions HB
LN28325 – 16" Diffuse acrylic drop lens for 100W and 300W VSolutions HB
RF55800 – 16" dia. polycarbonate reflector for 100W and 300W VSolutions HB
RF50402 – 16" dia. aluminum reflector (90°) for 100W and 300W VSolutions HB
RF19927 – 16" Clear acrylic reflector for 100W and 300W VSolutions HB
RF19935 – 16" Diffuse acrylic reflector for 100W and 300W VSolutions HB
RF63661 – 16" dia. SS lens band
Add suffix "-S4" for a factory installed Motion/Dim/Photocell sensor mount kit (KT12089)
For factory installed plug options see next page

Revision: 03, 06-Sept 2022



Venture 100W VSolution LED Highbay

Dimensions



NEMA L8-20P

Plug Options*	Molded Plug Options with 11ft Cable*
"-P4" – NEMA L8-20P for 480V	"-P9C" – NEMA L8-20P for 480V w/cable

NOTE: * Add Suffix to Part# for Factory Installed option
Factory installed plug options

LN17698
120° Clear Polycarbonate Lens

LN19016
60° Polycarbonate Lens

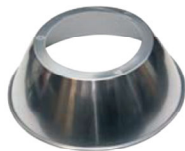


LN14399
120° Frosted Tempered Glass Lens

LN11476
120° Clear Tempered Glass Lens



RF55800



RF50402

(800) 451-2606

6675 Parkland Blvd., Suite 100

Solon, Ohio 44139 USA

Email: Venture_Lighting@VentureLighting.com

VentureLighting.com

