



NOTE: Shown with RF53116 – 16" clear acrylic optic, ordered separately

Description

Commerce Highbay luminaires from Venture Lighting are low profile, durable, and designed for long life and low maintenance. They are designed to quickly and easily upgrade existing HID and fluorescent fixtures.

Construction

The high-performance LED source is mounted to an aluminum heatsink which is designed to ensure proper thermal management of the system. This design allows for a cooler running LED chip which leads to longer lifetime, better efficacy, and color consistency. Fixtures are rated for an ambient operating temperature range -30°C to 45°C.

Optics

A 16" diameter clear acrylic optic can be ordered as an accessory. The luminaire utilizes high performance materials to maximize efficacy and achieve precise photometric distributions.

Electrical

The power supply has a range of 120V-277V, 50/60 Hz. 0-10V DC dimming capability is standard. The luminaire is rated for damp and dry locations.

Mounting

The luminaire is designed for replacing H.I.D. and fluorescent fixtures and is configured with a locking hook. Pendant mount accessory is included.

Warranty

For warranty information refer to: www.venturelighting.com/resources/warranties

Product Performance

Wattage	120W
Lumens	14200
Correlated Color Temperature (CCT)	4000K
Color Rendering Index (CRI)	80+
Lumen Maintenance @ 50,000 hours*	87%
Calculated L70 @ 25°C Ambient in Hours*	133,000
Replaces HID Wattage	250W
Spacing Criterion (0-180)	1.7 x mtg height
Spacing Criterion (90-270)	1.7 x mtg height
Operating Temperature Range	-22°F to 113°F (-30°C to 45°C)

Physical Characteristics

Input Cable Length	10ft
Safety Cable Length	2ft
Fixture Color	White
Length	16.2"
Width	16.2"
Height	15.1"
Weight	15.0 lbs

Electrical Characteristics

Amperage Draw (Input Volts/Amperes)	120/1.0 208/0.58 240/0.50 277/0.44
Surge Protection	4kV

Regulatory Qualifications

cETLus Listed

Accessories

PH41623 – Motion only control sensor

PH77409 – Motion/Photocell/Dimming control sensor

RF53116 – 16" dia. clear acrylic optic

For factory installed plug options see below

For plug options see accessories tab (NOT FACTORY INSTALLED)

Revision: 07, 26-Aug 2022

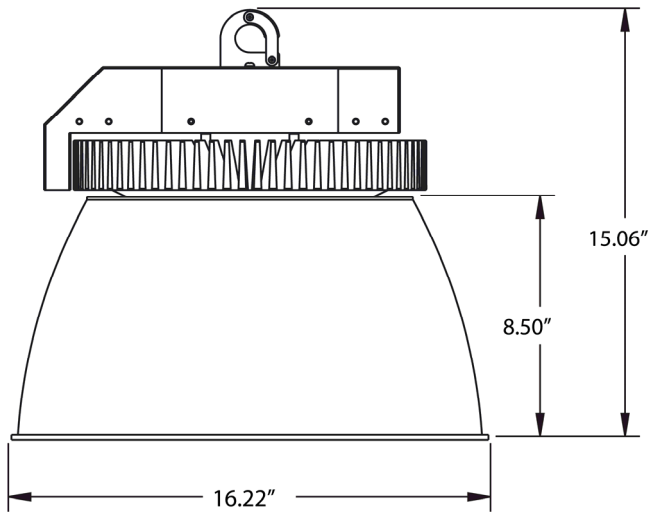
Notes:

*Lumen maintenance data is based on LED testing per IESNA LM-80 and projected per IESNA TM-21



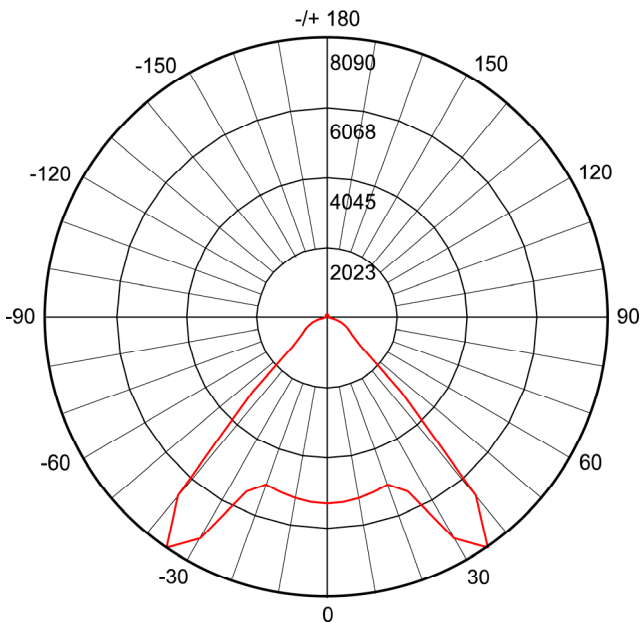
Venture 120W LED Highbay Fixture

Dimensions



Commerce High Bay
with sensor & mounting arm

Luminous Intensity Distribution Diagram



NEMA L5-15P NEMA L18-20P NEMA L6-15P NEMA L7-15P

Plug Options*	Molded Plug Options with 11ft Cable*
"-P1" - NEMA L5-15P for 120V	"-P6-C" - NEMA L5-15P for 120V w/ Cable
"-P2" - NEMA L6-15P for 240V	"-P7-C" - NEMA L6-15P for 240V w/ Cable
"-P3" - NEMA L7-15P for 277V	"-P8-C" - NEMA L7-15P for 277V w/ Cable
"-P5" - NEMA L18-20P for 208V	"-P10-C" - NEMA L18-20P for 208V w/ Cable

NOTE: * Add Suffix to Part# for Factory Installed option

Factory installed plug options

(800) 451-2606

6675 Parkland Blvd., Suite 100

Solon, Ohio 44139 USA

Email: Venture_Lighting@VentureLighting.com

VentureLighting.com

