



CCT/Wattage
Field Adjustable Switches

Description

Venture Lighting's Select-Pro Modern Highbay luminaires are low profile, durable, and designed for long life and low maintenance for use in a wide variety of applications. These color temperature selectable and wattage selectable luminaires are capable of changing to 2 different CCT settings (4000K, 5000K) and 3 different wattage settings (3 light levels) with a simple switch. These field-adjustable fixtures are preset to the highest wattage and 5000K CCT. The flexible selection capability allows for a cost effective method to reduce stocking inventory by 83% (1 SKU instead of 6).

Construction

The high-performance LED source is mounted to an aluminum heat sink which is designed to ensure proper thermal management of the system. This design allows for a cooler running LED chip which leads to longer lifetime, better efficacy, and color consistency. Fixtures are rated for an ambient operating temperature range -40°C to 40°C. Modern high bay luminaires are water and dust resistant, with IP65 rating. These fixtures also include additional NSF certification to be used in food processing splash zone applications.

Optics

The fixtures are equipped with a circular ribbed polycarbonate low glare 90° lens.

Electrical

The power supply has a range of 120V-277V, 50/60 Hz. 0-10V DC continuous dimming capability is standard (to 10%). The fixture includes an integrated screw-in sensor socket (optional sensor is sold separately) which allows a sensor to be added without the need for external junction boxes or additional wiring connections.

Warranty

For warranty information refer to: www.venturelighting.com/resources/warranties

DLC Model: HBRSA-240/200/180WS1BT2A1-WH40/50KWR

Product Performance

Wattage	4000K CCT Lumen Output	5000K CCT Lumen Output
240W	34000	34000
200W	28335	28335
180W	25500	25500
Color Rendering Index (CRI)		≥ 80
Lumen Maintenance @50,000 hours*		90%
Calculated L70 @ 25°C Ambient in Hours*		174,000
Beam Angle (°)		90°
Operating Temperature Range		-40°F to 104°F (-40°C to 40°C)
Replace Existing Luminaire		Up to 1000W

Physical Characteristics

Fixture Color	White
Lens Type	Polycarbonate circular ribbed lens
Input Cable Length	3.3' (1m)
Length	14.76" (375mm) Dia.
Height	7.7" (196mm)
Weight	9.4 lbs.

Electrical Characteristics

Amperage Draw (Input Volts/Amps)	120-277Vac / 2.35A Max
Dimming	0-10V DC continuous dimming

Regulatory Qualifications

cULus Listed
DLC® Premium Qualified
NSF Listed - NSF/ANSI 2 Food Equipment for Splash and Non-food Zone
IP65 Rated -Suitable for wet locations

Accessories

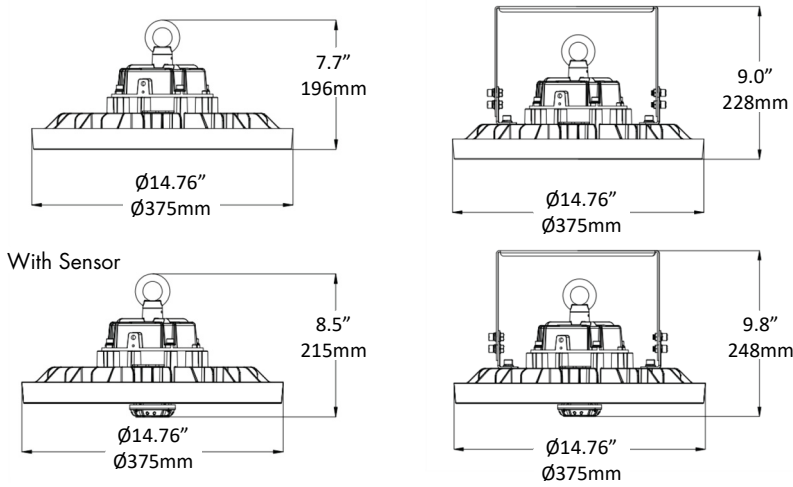
PH53207 – Field Installable Plug-in Photosensor/Motion Sensor
PH52186 – Sensor Handheld Programmer
RF14220 – PC reflector
RF14240 – Aluminum reflector
AC27390 – Surface mount bracket, white
AC27490 – 3/4" NPT Pendant Mount (M12)
For factory installed plug options, see page 2
For plug options, see accessories tab (NOT FACTORY INSTALLED)

Revision: 04, 28-Jul-2022

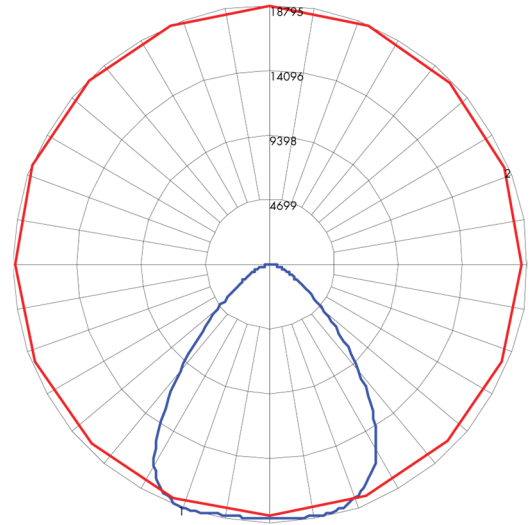


Select-Pro CCT/Wattage Selectable Modern High Bay

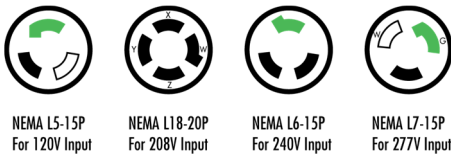
Dimensions:



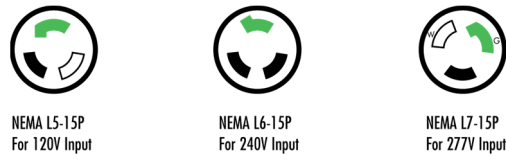
Photometrics:



Factory Installed Plug and Cable Options:



Factory Installed NSF Certified Watertight Plug Options:



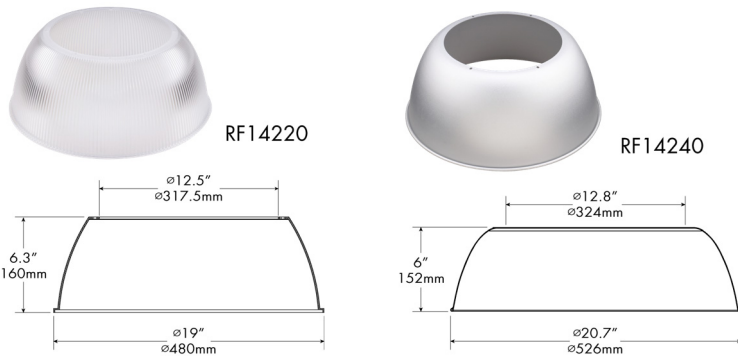
Indoor Plug Options*	Molded Plug with 11-foot Cable Options*
"-P1" - NEMA L5-15P for 120V	"-P6-C" - NEMA L5-15P for 120V
"-P5" - NEMA L5-15P for 208V	"-P10-C" - NEMA L5-15P for 208V
"-P2" - NEMA L6-15P for 240V	"-P7-C" - NEMA L6-15P for 240V
"-P3" - NEMA L7-15P for 277V	"-P8-C" - NEMA L7-15P for 277V

NSF-Certified Plug Options*
"-PN1" - NEMA L5-15P for 120V
"-PN2" - NEMA L6-15P for 240V
"-PN3" - NEMA L7-15P for 277V

*Add suffix to fixture part number for factory installed option.

*Add suffix to fixture part number for factory installed option.

Reflectors:



(800) 451-2606

7905 Cochran Road, Suite 300

Glenwillow, Ohio 44139 USA

Email: Venture_Lighting@VentureLighting.com

VentureLighting.com

