



Description

Venture Lighting's linear highbay luminaires are low profile, durable, and designed for long life and low maintenance. They are designed to quickly and easily upgrade existing H.I.D and fluorescent fixtures. Unit comes equipped ready with easy to hang 4 point hooks and chains. Versatile and easy to install either suspended, pendant, or surface mount (pendant and surface mount accessories sold separately).

Construction

Luminaire housing and die formed end caps are made of cold-rolled steel. Rigid design resists twisting and bowing. Heavy gauge steel power supply compartment is perforated for superior cooling through natural convection to maximize the life of LEDs and power supplies. LED arrays are mounted to housing surface to ensure reliable heat sinking. The driver is mounted in a separate power supply compartment to minimize heat exposure.

Finish

Die-formed heavy gauge steel housing with a high reflectance, high-gloss, baked white enamel finish. Die-formed steel end caps with center 7/8 inch knock-outs, and (2) 1/2 inch knock-outs, attaching via center interlocking tab into housing, secured by 2 screws. Smooth housing edges for ease of handling.

Optics

Clear polycarbonate lens is standard while a frosted lens model is also available.

Electrical

The power supply has a range of 120-277V, 50/60 Hz. 0-10V DC dimming capability is standard. The luminaire is rated for damp and dry locations.

Housing

Die formed end caps enclose a heavy gauge steel fixture body and side rails. End caps have multiple knockouts to support optional controls. The power supply compartment cover allows easy access to the power supply from above, while mounted.

Notes:

*Lumen maintenance data is based on LED testing per IESNA LM-80 and projected per IESNA TM-21

DLC® Model# HBL-320CAC

Product Performance

Wattage	320W
Lumens	43300
Correlated Color Temperature (CCT)	5000K
Color Rendering Index (CRI)	80
Lumen Maintenance @50,000 hours*	87%
Calculated L70 @ 25°C Ambient in Hours*	122,000
Replaces HID Wattage	Up to 1000W HID
Operating Temperature Range	-22°F to 113°F (-30°C to 45°C)
Replace Existing Luminaire	Up to 1000W HID

Physical Characteristics

Lens Type	Clear
Fixture Color	White
Length	45.9"
Width	17.3"
Height	3.6"
Weight	28 lbs

Electrical Characteristics

Amperage Draw (Input Volts/Amps)	120/2.80 208/1.70 240/1.40 277/1.20
----------------------------------	-------------------------------------

Regulatory Qualifications

cULus Listed; Dry and damp rated

Model# HBL-320CAC

Accessories

V-hook (2pcs) and 42" chain accessories supplied with each fixture

KT41013 - Wire guard kit with hardware

KT16782 - Pendant mount kit with hardware (white)

KT35428 - Surface mount kit with hardware (white)

KT37197 - Sensor mount kit with hardware (white)

AC24512 - 1 meter chain with S-hooks (2pcs) (replacement)

AC19722 - V-Hook (2pc Set)

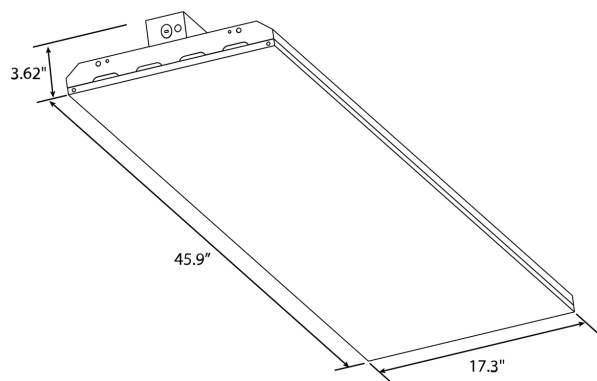
LN42193 - Frosted polycarbonate lens for field installation

For a factory installed Battery Backup add "-EM" after order code (Lumens: 3030) (0-50°C) †

†Operating temperature range for Battery Backup.



Venture 320W LED Linear Highbay



(800) 451-2606
Fax: (800) 451-2605
7905 Cochran Rd, Suite 300
Glenwillow, Ohio 44139
E-mail: Venture_Lighting@VentureLighting.com
VentureLighting.com

