



CCT/Wattage  
Field Adjustable Switches

DLC Model: HBLS2UNV-210/170/155-FL/AU2/F1/A3/B7/SN/EMN

## Product Performance

Wattage	4000K CCT	5000K CCT
	Lumen Output	
210W	28350	28560
170W	24480	24650
155W	22630	22785
Color Rendering Index (CRI)		≥ 80
Life Hours		50,000
Operating Temperature Range		-22°F to 113°F (-30°C to 45°C)
Replace Existing Luminaire		Up to 1000W HID

## Physical Characteristics

Lens Type	Frosted
Fixture Color	White
Length	24.8" (630mm)
Width	18.9" (480mm)
Height	2.1" (53.3mm)
Weight	13.45 lbs (6.10 kg)

## Electrical Characteristics

Input	120-277V, 50/60Hz
Dimming	0-10V DC

## Regulatory Qualifications

cULus Listed  
 DLC® Premium Qualified  
 Suitable for damp locations

## Accessories

PH86347 – Field Installable Plug-in Photosensor/Motion Sensor  
 AC86350 – Motion sensor remote control  
 KT26750 – Pendant mount kit with hardware  
 KT26740 – Surface mount kit  
 KT26824 – Wire guard kit with hardware  
 Add suffix "-EM" to fixture model # for a factory-installed Battery Backup  
 For factory installed plug options, see page 2

Revision: 04, 26-Jul-2022

### Description

Venture Lighting's color temperature selectable and wattage selectable LED Linear High Bay is capable of changing to 2 different CCT settings (4000K, 5000K) and 3 different wattage settings (3 light levels) with a simple switch. These field-adjustable fixtures are preset to the highest wattage and 5000K CCT. The flexible selection capability allows for a cost effective method to reduce stocking inventory by 83% (1 SKU instead of 6). This is an ideal choice for commercial, industrial, or retail applications.

### Construction

The housing is constructed from cold rolled steel to provide rigidity and strength. Each housing is finished with a white polyester power coat. Each fixture is supplied with a pair of V-hooks and 3ft chain for mounting. The luminaire is rated for damp and dry locations.

### Optics

Provided with a frosted polycarbonate lens for providing diffused light distribution.

### Electrical

The power supply has a range of 120-277V, 50/60Hz. 0-10V DC continuous dimming capability is standard (to 10%). The fixture includes an integrated screw-in sensor socket (optional sensor is sold separately).

### Warranty

For warranty information refer to: [www.venturelighting.com/resources/warranties](http://www.venturelighting.com/resources/warranties)

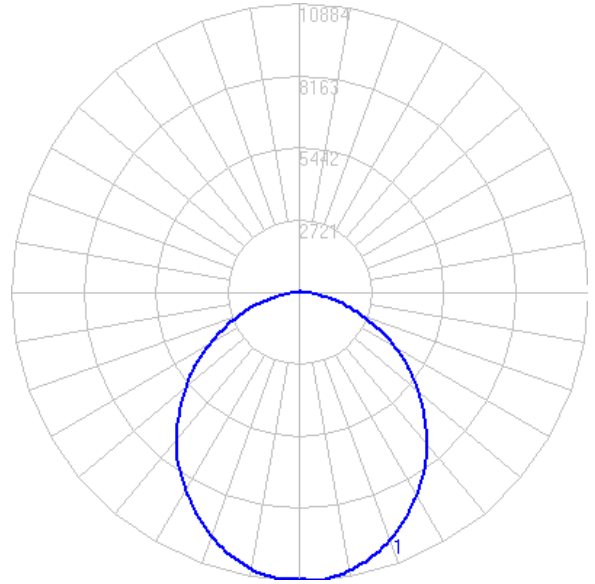
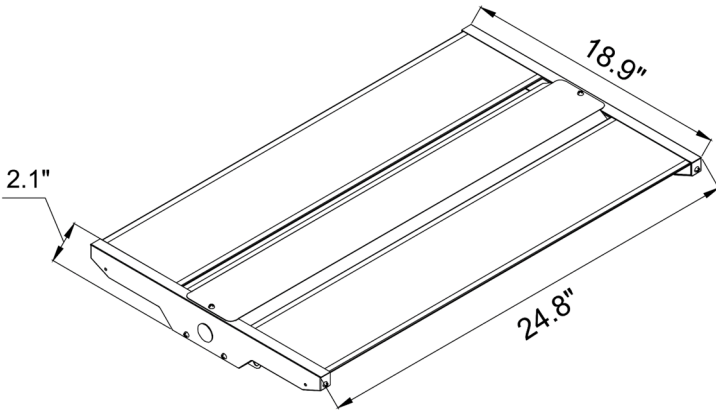
\* Lumen maintenance data is based on LED testing per IES LM-80 and projected per IES TM-21.



# Select-Pro CCT/Wattage Selectable Linear High Bay

Dimensions:

Photometrics:



Factory Installed Plug and Cable Options:



NEMA L5-15P   NEMA L6-15P   NEMA L7-15P   NEMA L18-20P

- Add suffix "-P6-C" for 120V NEMA L5-15P molded plug with 11ft cable
- Add suffix "-P10-C" for 208V NEMA L18-20P molded plug with 11ft cable
- Add suffix "-P7-C" for 240V NEMA L6-15P molded plug with 11ft cable
- Add suffix "-P8-C" for 277V NEMA L7-15P molded plug with 11ft cable

**(800) 451-2606**

7905 Cochran Road, Suite 300

Glenwillow, Ohio 44139 USA

Email: [Venture\\_Lighting@VentureLighting.com](mailto:Venture_Lighting@VentureLighting.com)

**VentureLighting.com**

