



Description

Venture Lighting's color temperature selectable and wattage selectable LED Linear High Bay is capable of changing to 2 different CCT settings (4000K, 5000K) and 3 different wattage settings (3 light levels) with a simple switch. These field-adjustable fixtures are preset to the highest wattage and 5000K CCT. The flexible selection capability allows for a cost effective method to reduce stocking inventory by 83% (1 SKU instead of 6). This is an ideal choice for commercial, industrial, or retail applications.

Construction

The housing is constructed from cold rolled steel to provide rigidity and strength. Each housing is finished with a white polyester power coat. Each fixture is supplied with a pair of V-hooks and 3ft chain for mounting. The luminaire is rated for damp and dry locations.

Optics

Provided with a frosted polycarbonate lens for providing diffused light distribution.

Electrical

The power supply has a range of 120-277V, 50/60Hz. 0-10V DC continuous dimming capability is standard (to 10%). The fixture includes an integrated screw-in sensor socket (optional sensor is sold separately).

Warranty

For warranty information refer to: www.venturelighting.com/resources/warranties

* Lumen maintenance data is based on LED testing per IES LM-80 and projected per IES TM-21.

DLC Model: HBLS2UNV-155/130/105-FL/AU2/F1/A3/B7/SN/EMN

Product Performance

Wattage	4000K CCT	5000K CCT
	Lumen Output	
155W	20925	21080
130W	18200	18330
105W	15225	15330
Color Rendering Index (CRI)		≥ 80
Life Hours		50,000
Operating Temperature Range		-22°F to 113°F (-30°C to 45°C)
Replace Existing Luminaire		Up to 400W HID

Physical Characteristics

Lens Type	Frosted
Fixture Color	White
Length	24.8" (630mm)
Width	15.0" (381mm)
Height	2.1" (53.3mm)
Weight	12.57 lbs (5.70 kg)

Electrical Characteristics

Input	120-277V, 50/60Hz
Dimming	0-10V DC continuous to 10%

Regulatory Qualifications

cULus Listed
 DLC® Premium Qualified
 Suitable for damp locations

Accessories

PH86347 – Field Installable Plug-in Photosensor/Motion Sensor
 AC86350 – Motion sensor remote control
 KT26750 – Pendant mount kit with hardware
 KT26740 – Surface mount kit
 KT26822 – Wire guard kit with hardware
 Add suffix "-EM" to fixture model # for a factory-installed Battery Backup
 For factory installed plug options, see page 2

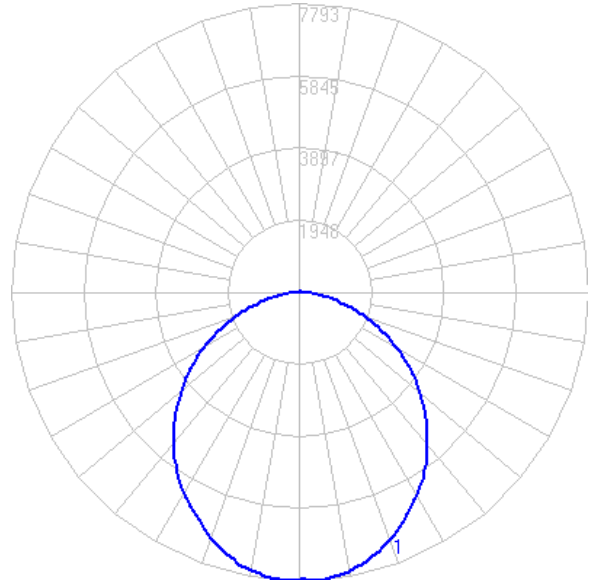
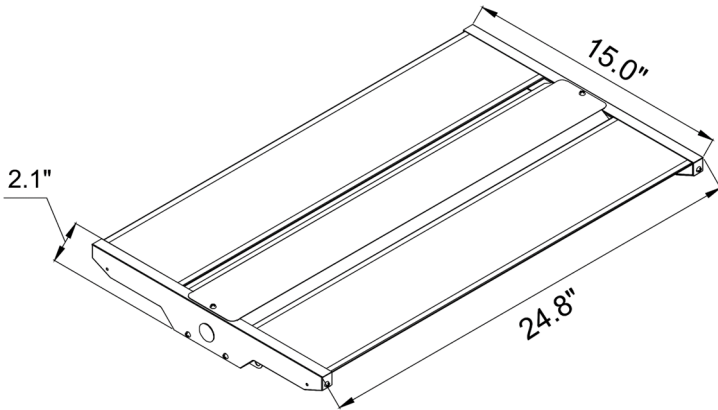
Revision: 04, 26-Jul-2022



Select-Pro CCT/Wattage Selectable Linear High Bay

Dimensions:

Photometrics:



Factory Installed Plug and Cable Options:



NEMA L5-15P NEMA L6-15P NEMA L7-15P NEMA L18-20P

- Add suffix "-P6-C" for 120V NEMA L5-15P molded plug with 11ft cable
- Add suffix "-P10-C" for 208V NEMA L18-20P molded plug with 11ft cable
- Add suffix "-P7-C" for 240V NEMA L6-15P molded plug with 11ft cable
- Add suffix "-P8-C" for 277V NEMA L7-15P molded plug with 11ft cable

(800) 451-2606

7905 Cochran Road, Suite 300

Glenwillow, Ohio 44139 USA

Email: Venture_Lighting@VentureLighting.com

VentureLighting.com

