



Description

Venture Lighting's color temperature selectable and wattage selectable Garage Light is capable of changing to 3 different CCT settings and 3 different wattage settings. These field-adjustable fixtures are preset to the highest wattage and 5000K CCT. Dip switches are used to change the wattage, color temperature and enable/disable the integrated photocell. The flexible selection capability allows for a cost-effective method to reduce stocking inventory by 88% (1 SKU instead of 9). This LED luminaire has a lightweight design featuring long life and low maintenance and allows for easy replacement of existing lighting fixtures.

Construction

The housing unit is constructed from heavy-duty aluminum. Fixtures are finished with a durable white polyester powder coating. To ensure weathertight protection, each optical assembly is sealed with a silicone gasket. Luminaires are rated for an ambient operating temperature range of -40°C to +40°C. The fixture includes an integrated photocell (which can be enabled or disabled).

Electrical

120-277V, 50/60 Hz. 0-10V DC continuous dimming capability is standard (dim-to-off).

Mounting

The fixture is designed for universal surface and pendant mounting.

Warranty

For warranty information refer to: www.venturelighting.com/resources/warranties

*Lumen maintenance data is based on LED testing per IESNA LM-80 and projected per IESNA TM-21.

**Motion/Daylight Dimming Photosensor must be enabled when EM is used.

DLC Model # CPS75SP1-WHP1W50

Product Performance

Wattage	3000K CCT Lumen Output	4000K CCT Lumen Output	5000K CCT Lumen Output
75W	9025	9650	9625
60W	7200	7700	7700
40W	5000	5150	5150
Color Rendering Index (CRI)			≥ 80
Lumen Maintenance @50,000 Hrs*			94%
Calculated L70 @25°C Ambient (Hrs)*			293,000
Replaces HID Wattage			Up to 250W
Operating Temperature Range		-40°F to +104°F (-40°C to +40°C)	
EM Temperature Derating		41°F to 95°F (5°C to 35°C)	
Photocell			Integrated (On/Off Switch)
Distribution			160°

Physical Characteristics

Fixture Color	White
Length	10" (254mm)
Width	10" (254mm)
Height	4.17" (106mm)
Weight	6.12 lbs (2.78 kg)

Electrical Characteristics

Input	120-277V, 50/60 Hz
Power Factor	≥ 90%
THD	≤ 20%
Dimming	0-10V DC

Regulatory Qualifications

cULus Listed
DLC® Premium Qualified
IP65 Rated – Suitable for wet locations

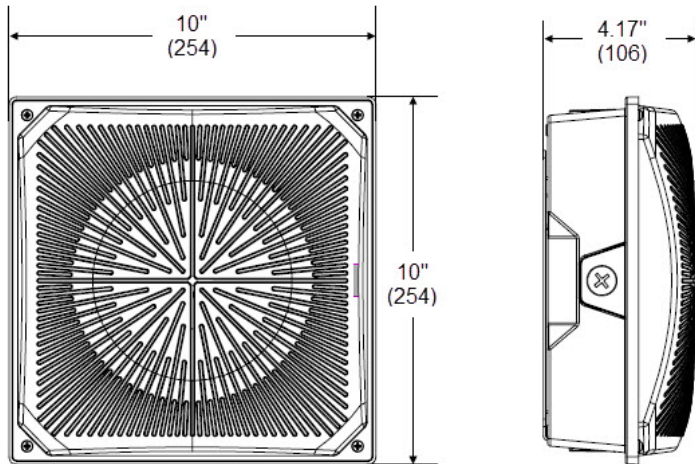
Accessories

PH12568 – 12VDC Microwave Sensor, Internal Mount
AC13752 – Wireless Sensor Programming Tool
SP12714 – 120-277V Surge Protector
AC31925 – Tamper-resistant screws
Add "-EM" to order code for factory-installed battery backup**
Add "-S7" to order code for factory-installed 12VDC Microwave Sensor (PH12568)
Add "-TRS" to order code for factory-installed tamper-resistant screws (AC31925)

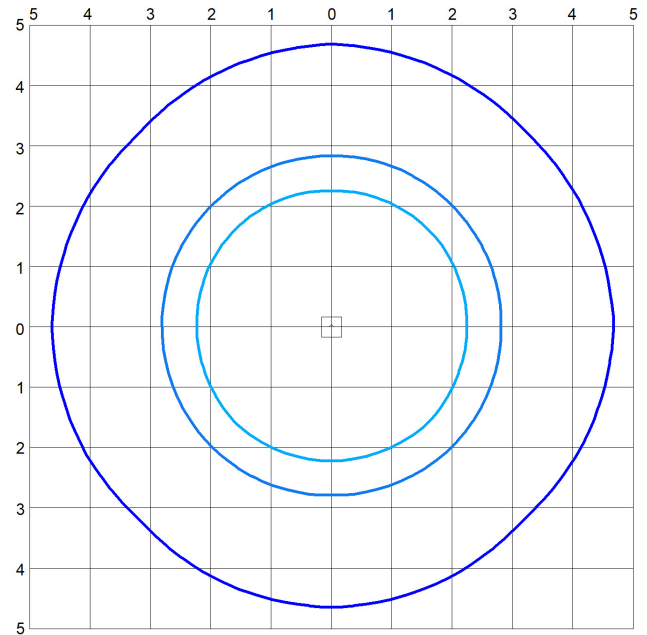


Venture CCT & Wattage Selectable 75W Garage Light

Dimensions



Photometrics – 160 Degree Lens



(800) 451-2606

6675 Parkland Blvd., Suite 100

Glenwillow, Ohio 44139 USA

Email: Venture_Lighting@VentureLighting.com

VentureLighting.com

