

Description

The Venture Lighting LED Gas Station Canopy is a surface mount luminaire with a low profile, lightweight design featuring long life and low maintenance. These IP65 rated fixtures are designed for easy replacement of existing gas station canopy fixtures.

Construction

The housing unit is constructed from heavy-duty aluminum. Fixtures are finished with a durable white polyester powder coating. To ensure weathertight protection, each optical assembly is sealed with a silicone gasket.

Electrical

The power supply has a range of 120-277V, 50/60 Hz.

Mounting

The fixture is designed for surface mounting.

Warranty

For warranty information refer to: www.venturelighting.com/resources/warranties

DLC Model No.: CPT-150SAM-WH50

Product Performance

Wattage	150W
Lumens	21,057
Correlated Color Temperature (CCT)	5000K
Color Rendering Index (CRI)	≥ 80
Lumen Maintenance @50,000 hours*	90%
Calculated L70 @25°C Ambient in hours*	174,000
Operating Temperature Range	40°F to 104°F (-40°C to 40°C)

Physical Characteristics

Fixture Color	White
Length	20.47" (520mm)
Width	20.47" (520mm)
Height	9.65" (245mm)
Weight	17 lbs (7.7 kg)

Electrical Characteristics

Input Voltage Range	120-277V, 50/60 Hz, 1.53A Max
Amperage Draw (Input Volts/Amps)	120/1.30 208/0.75 240/0.65 277/0.56
Power Factor	≥ 90%
THD	≤ 20%
Dimming	1-10V DC continuous to 10%

Regulatory Qualifications

UL Listed

DLC® Premium Qualified – DLC Model No. CPT-150SAF-WH50

IP65 Rated for Wet Locations

Revision: 04, 16-Jun 2022

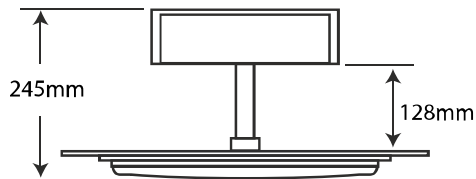
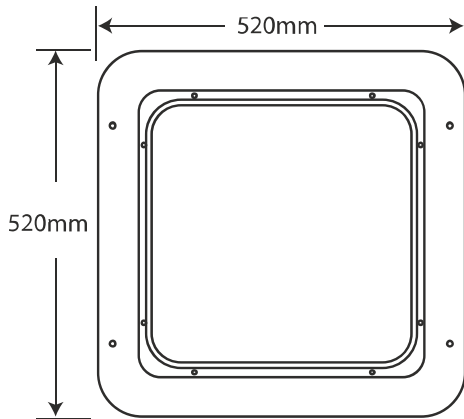
Notes

* Lumen maintenance data is based on LED testing per IESNA LM-80 and projected per IESNA TM-21.

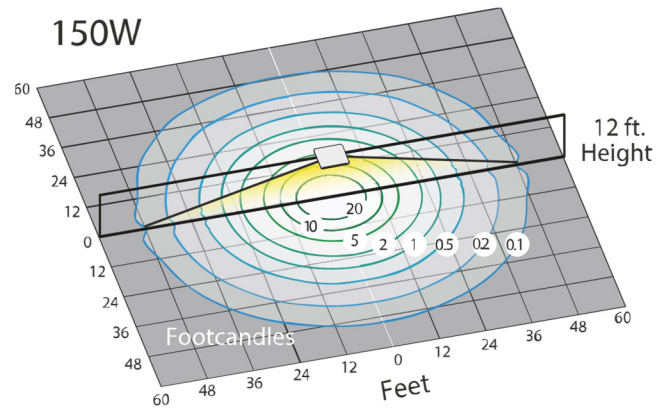


Venture 150W LED Gas Station Canopy

DIMENSIONS



PHOTOMETRICS



(800) 451-2606

7905 Cochran Road, Suite 300

Glenwillow, Ohio 44139 USA

Email: Venture_Lighting@VentureLighting.com

VentureLighting.com

