



# IGNITOR SPECIFICATION

Part Number: BVS-020  
BMS-020

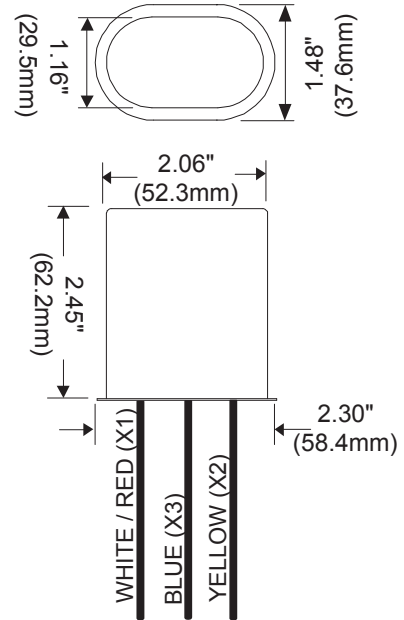
## High Wattage IMP Ignitor



<b>Maximum Case Temperature:</b>	105°C
<b>Peak Voltage:</b>	3000-5000*
<b>Case Height:</b>	2.45 IN
<b>Case Diameter:</b>	1.48 IN
<b>Case Width:</b>	2.06 IN

Refer to the applicable Venture ballast spec for the wiring diagram and ballast to lamp (BTL) mounting distance limit.

\*Peak Voltage is ballast dependent (3000-5000 for 1000W HPS ballasts and 3000-4000 for PSMH ballasts).



OVAL IGNITOR

Data is based upon tests performed by Venture Lighting in a controlled environment and is representative of relative performance. Actual performance can vary depending on operating conditions. Specifications are subject to change without notice.