



# IGNITOR SPECIFICATION

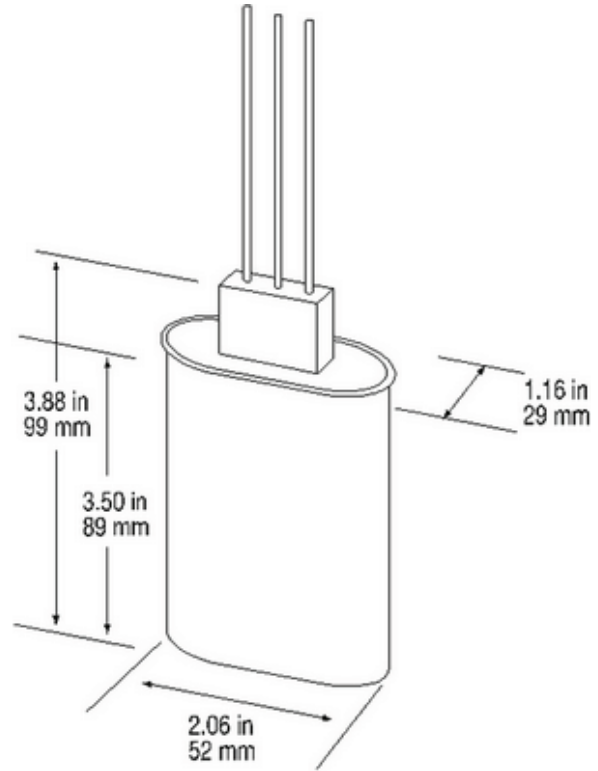
Part Number: BVS-012  
BMS-012

## 200-430W HPS Sentinel Timed IMP Ignitor with Quick Connect



<b>Maximum Case Temperature:</b>	105°C
<b>Peak Voltage:</b>	2500-4000
<b>Case Height:</b>	3.50 IN
<b>Case Diameter:</b>	1.16 IN
<b>Case Width:</b>	2.06 IN

**Includes integral timer which automatically disables the ignitor from pulsing after 6 minutes (power shut off is required to reset timer). Refer to the applicable ballast spec for the wiring diagram and ballast to lamp (BTL) mounting distance.**



Data is based upon tests performed by Venture Lighting in a controlled environment and is representative of relative performance. Actual performance can vary depending on operating conditions. Specifications are subject to change without notice.