



Wireless Programmed Sensor Lens Lens for Low Mount Applications (Parking Garage Lighting)

product number: PH18673

overview

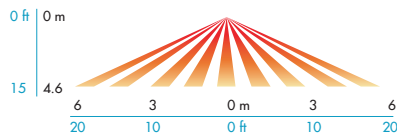
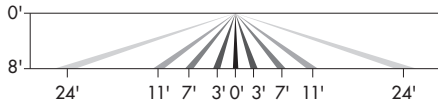
This lens is specifically designed for low mount applications like parking garage lighting. It is to be used in conjunction with the wireless programmed sensor (Venture Order Code# PH41817). The wireless programmed sensor utilizes 100% Digital Passive Infrared (PIR) technology that is tuned for walking size motion while preventing false tripping from the environment.

notes

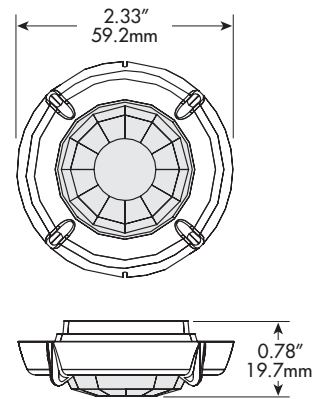
- Coverages shown in diagrams are maximum, measured in linear feet. They represent coverage for full-step walking motion, with no barriers or obstacles.

coverage patterns

Low Mount Lens (Parking Garage Lighting) - Side View



lens diagram



VLI-XXXXXX_SensorLens1-1017