


Description

The integrated microwave sensor allows for motion detection and maximizes energy savings through dimming and daylight harvesting.

The wide range of sensor settings are adjusted via the handheld remote (AC13752). The many combinations of settings will easily cover most control schemes and needs.

Benefits / Features

- Integrated into canopy fixtures
- Powered from driver auxiliary output
- Reduces energy consumption by dimming and turning fixtures off when not needed
- Microwave technology reduces interference from obstructions
- Easily expand control system after original installation
- Enable daylight harvesting

Warranty

For warranty information refer to: www.venturelighting.com/resources/warranties

Physical Characteristics

Length	2.0" (51 mm)
Width	0.96" (24.4mm)
Height	0.55" (14mm)
Operating Temperature Range	-4°F to ~+140°F (-20°C to ~+60°C)
Mounting Height	49.2ft / 15m Max (ceiling mounted)
Detection Range	45.92ft / 14m Max (ceiling mounted)

Electrical Characteristics

Operating Voltage	12V DC
Operating Current	≤25mA
Output	DIM 0-10V
Stand-by Power	≤0.5W
Microwave Frequency	5.8GHz ±75MHz
Microwave Power	<0.3mW

Regulatory Characteristics

RoHS compliant

IP20 Rated

Default Settings

Detection Area: 100%

Hold Time: 5 seconds

Daylight Threshold: Disabled

Standby Time: 0 seconds

Standby Dimming Level: 10%

Accessories

AC13752 Sensor Handheld Programmer

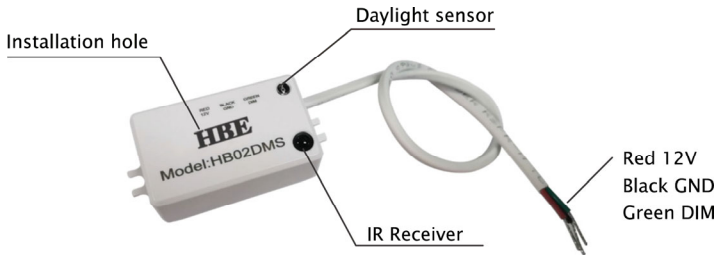
Revision: 01, 03-Nov 2022



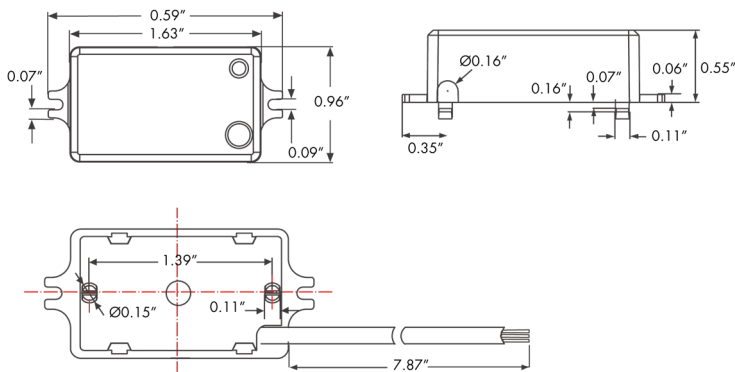
AC13752



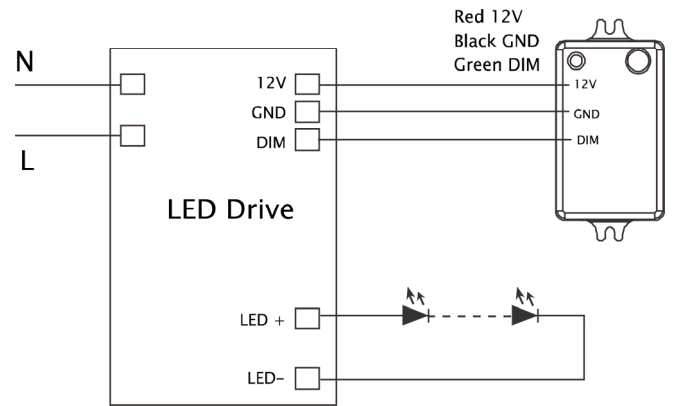
Programmable Microwave Motion/Dim/Photocell Sensor



Dimensions

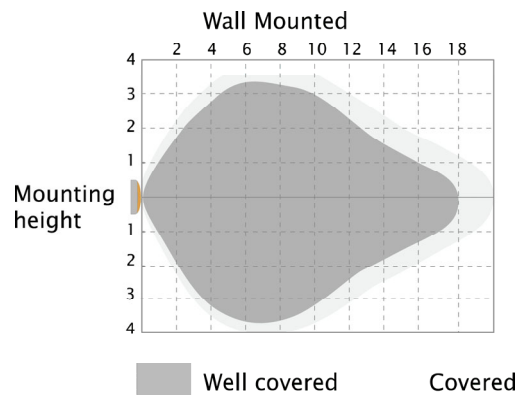
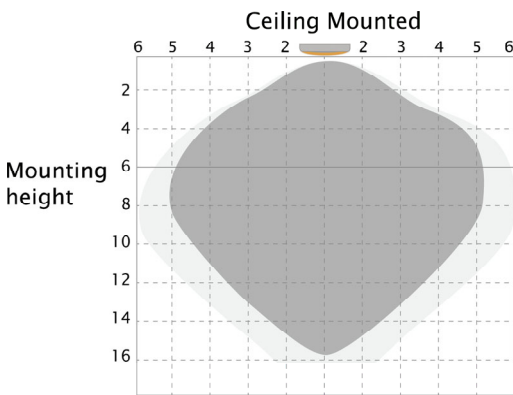


Wiring Diagram



Coverage

Typical installation height 26.2ft – 49.2ft (8-15m).
This figure indicates the maximum distance at the highest mounting height with 100% sensitivity.



(800) 451-2606

6675 Parkland Blvd., Suite 100

Solon, Ohio 44139 USA

Email: Venture_Lighting@VentureLighting.com

VentureLighting.com

