



Description

The LED 30W battery backup-up system is listed for field-installation only. It provides constant power output to the load during emergency mode operation. The battery maintains illumination in the emergency mode for a minimum of 90 minutes. It is an ideal emergency solution for Venture Lighting's Select-Pro Modern Highbay fixtures.

Construction

The 30W battery has an integrated junction box for all fixture connections.

Electrical

The power supply has a range of 100-347V, 50/60Hz. The battery will ONLY operate on fixtures with 0-10V / 1-10V dimming capabilities. See user manual for troubleshooting instructions.

Mounting

The battery back-up comes standard with an I-bolt on the top and M10 threaded connector on bottom.

Warranty

For warranty information refer to: www.venturelighting.com/resources/warranties

Specifications

Input Voltage	100-347VAC, 50/60Hz
Output Voltage	120-180Vdc
Input Current	460mA max
Input Power	15W max
Output Power	30W
Emergency Time	90 Minutes
Charging time	≤24 Hours
Battery	Li-ion Battery
Ambient Temperature Range	-30°C – +60°C

Physical Characteristics

Color	Orange
Height	11.0" (279.3mm)

Regulatory Qualifications

cULus Listed

IP65 Rated for dry, damp, wet locations

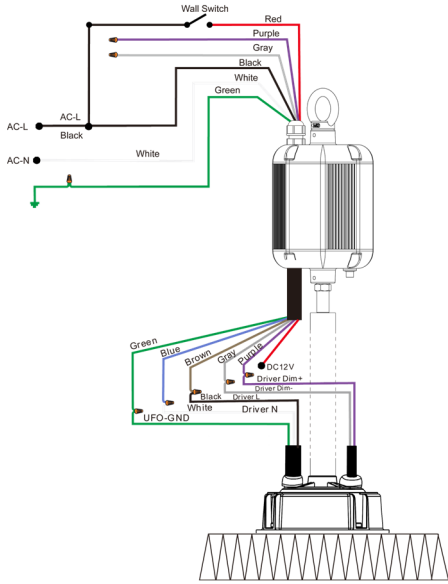
Revision: 01, 19-Oct 2022



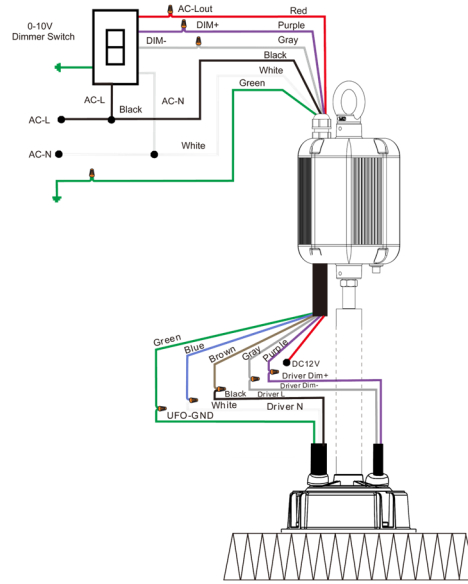
Venture LED Fixture 30W Battery Back-up

Wiring

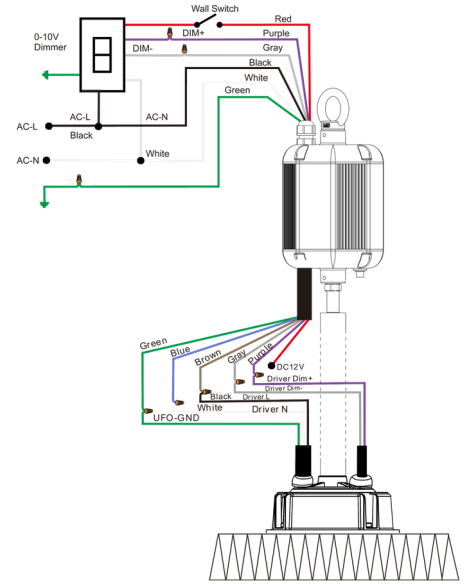
With Wall Switch (no Dimmer)



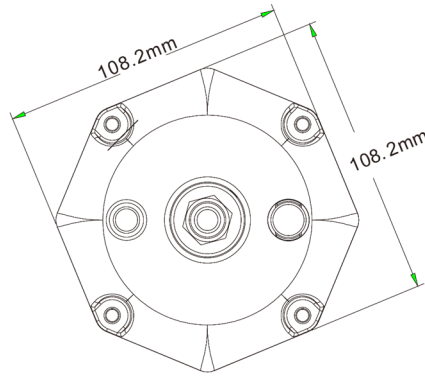
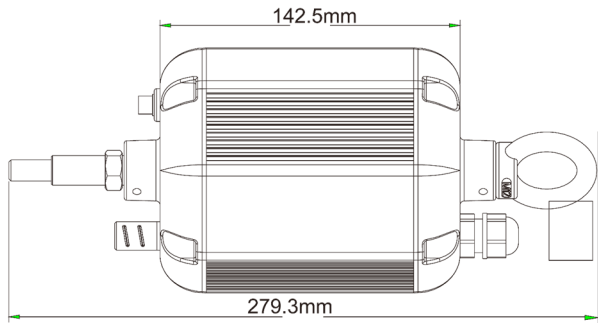
With 0-10V Dimmer Switch



With 0-10V Dimmer + Wall Switch



Dimensions



(800) 451-2606

6675 Parkland Blvd., Suite 100

Solon, Ohio 44139 USA

Email: Venture_Lighting@VentureLighting.com

VentureLighting.com

