



LED Fixture Battery Back-up

Order Code: BB24622



Description

The LED battery back-up system is compatible with Venture Lighting's LED Downlight Retrofit Kits. In the event of a power failure, the LED battery back-up system switches on and will operate the fixture for 90 minutes. The LED battery back-up system contains a self-contained battery, charger, and converter circuit.

This Driver Will Operate The Following LED Modules: Any LED module designed to accept constant input current of 214-535mA and that has a forward input voltage range of 20-50VDC.

Emergency LED Driver Listed for Field and Factory Installation

Specifications

Input Voltage	120-277VAC, 50/60Hz
Input Current	0.087A Max.
Input Power	5.7W
Output Current	214-535mA
Output Voltage Range	20-50Vdc
Output Power / Lumens	10.7W (Constant)/ 1700lm
Battery Type/ Model Number	Ni-Cd 9.6Vdc
Battery Capacity Available	26.9WH
Recharge Time	24 Hours
Number of Output Channels	1
RFI/EMI	FCC Part 15A Non-Consumer
Output Type	Class 2
Ambient Operating Temperature Range	0°C to 50°C
Surge Protection	Per C62.41 (TVS)
Protections	Protections
Service Life	50,000 Hours

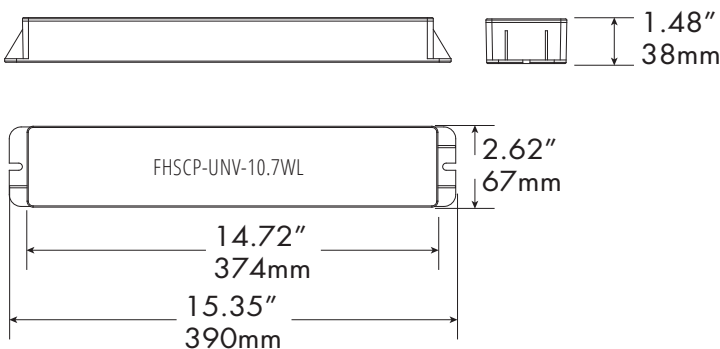
Physical Characteristics

Fixture Color	Black
Length	15.35"
Width	2.62"
Height	1.48"

Regulatory Qualifications

ULus Class 2; Damp Locations

Dimensions



Wiring Diagram

