



## Before You Begin

Read These Instructions Completely and Carefully



## UNPACKING

- Unpack and carefully examine the product.
- Report any damage and save all packing materials if any part(s) were damaged during shipping.
- Do not attempt to install or use this equipment if it is damaged.

## INCLUDED IN THIS BOX

- LED Fixture.
- Installation instructions.

## **⚠️ WARNING – RISK OF FIRE, ELECTRIC SHOCK, INJURY, OR PROPERTY DAMAGE**

- Failure to follow these instructions or altering equipment could result in injury or damage and void warranty. Venture assumes no liability for injury, damages or losses of any kind that may arise from the improper, careless, or negligent installation, handling or use of this product.
- This equipment must be installed and serviced per applicable codes and ordinances by qualified personnel (ex. licensed electrician) familiar with the operation of the product and any hazards involved.
- Disconnect power to the equipment and allow to cool before installing or servicing.
- Handle sharp edges with care. To prevent wiring damage, do not expose wiring to sharp edges.
- Verify that all electrical connections have been properly made and the fixture is grounded to avoid potential electrical shocks.
- It is the installers responsibility to confirm the proper input voltage is used with this equipment.
- Do not handle energized equipment when hands are wet, when standing on wet surfaces, or in water.
- This fixture must be mounted securely to a ceiling or structure to support the weight.
- This fixture may be provided with a factory-installed battery back-up option. Refer to the battery back-up user manual for installation and operating instructions.

## SUPPLIER'S DECLARATION OF CONFORMITY (SDoC)

- This equipment complies with the limits for a Class A digital device, pursuant to Part 15 Subpart B of the FCC Rules. These limits are designed to provide reasonable protection against harmful interference when the equipment is operated in a commercial, industrial or business environment.
- This equipment complies with the limits for a Class A lighting equipment, pursuant to Innovation, Science and Economic Development Canada's CAN ICES-005 (A) / NMB-005 (A).

For warranty information refer to <https://www.venturelighting.com/resources/warranties.html>.

## IMPORTANT SAFETY INFORMATION

- Operating temperature: -20°C to +50°C (-4°F to +122°F).
- Suitable for use in damp and dry locations only.
- All wiring and connectors used with this equipment shall be rated a minimum of 90°C (194°F).

## Surface Mount Installation Instructions

- 1: Disconnect power from the existing luminaire and follow proper lockout/tagout procedures before beginning installation or maintenance.
- 2: Remove the existing luminaire. Dispose of the lamp(s) and ballast(s) per local requirements.
- 3: Secure the provided brackets onto the ceiling/wall with included hardware (2pcs Brackets, 2pcs Anchors, 2pcs Mounting Screws). Brackets should be spaced 41-3/4" apart on center.
- 4: Screw the outlet covers to the back of the fixture housing with included screws (4pcs). (A)

### **Steps 5, 6 and 8 are Optional**

- 5: Remove the lens by gently squeezing the sides of the lens and lifting. (B)
- 6: Lift the plate that holds the LED module to access the fixture wiring compartment. (B)
- 7: Connect the wiring per the Wiring Diagram to the main power. (C)

NOTE: The polarity of the dimming connections is important to ensure the performance as desired.

NOTE: If not using the dimming functionality, DO NOT connect the Driver Dim(+) (purple) to the Driver Dim(-) (gray). The fixture will not operate as desired.

NOTE: If not using the dimming functionality, insulate Dim(+) (purple) and Dim(-) (gray) wires separately. Bare wires should not be exposed.

- 8: Replace the LED module plate and lens. (D)
- 9: Then, clip the mounting brackets into the slots on the side of the fixture. (E)
- 10: Select desired wattage and color temperature by using selector switches on side of fixture. (G)  
NOTE: Fixture preset to highest wattage and 5000K CCT.
- 11: Power can now be restored to the fixture.

## Suspended Mount Installation Instructions

- 1: Disconnect power from the existing luminaire and follow proper lockout/tagout procedures before beginning installation or maintenance.
- 2: Remove the existing luminaire. Dispose of the lamp(s) and ballast(s) per local requirements.
- 3: Clip the brackets into the slots on the side of the fixture. (E) Insert the V-hook into the bracket. (F)
- 4: Suspend the fixture from chain or cable (not supplied).

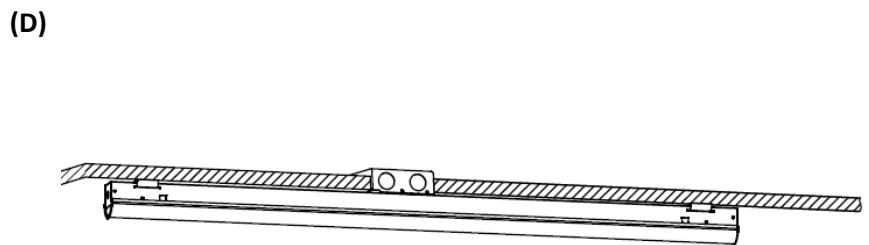
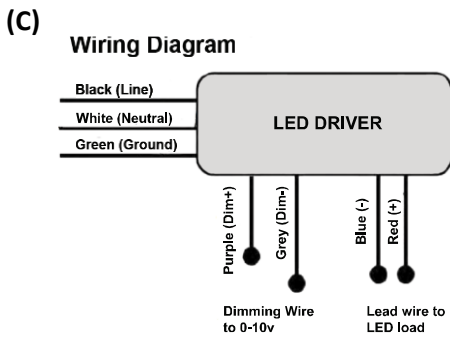
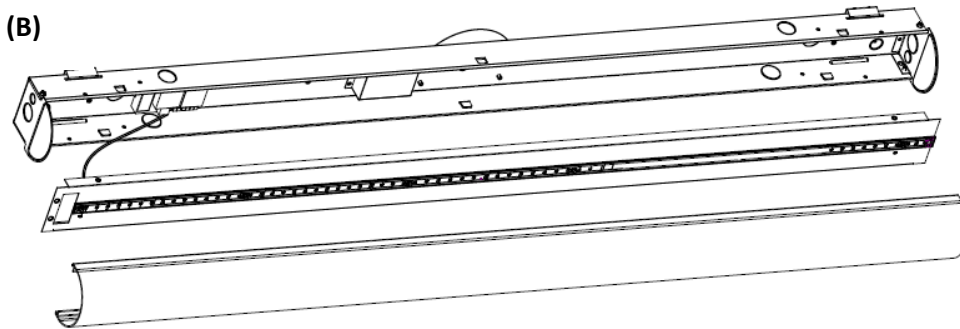
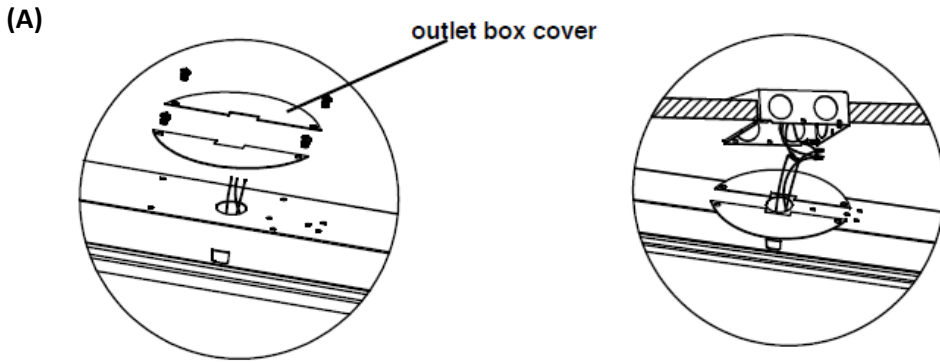
### **Steps 5, 6 and 8 are Optional**

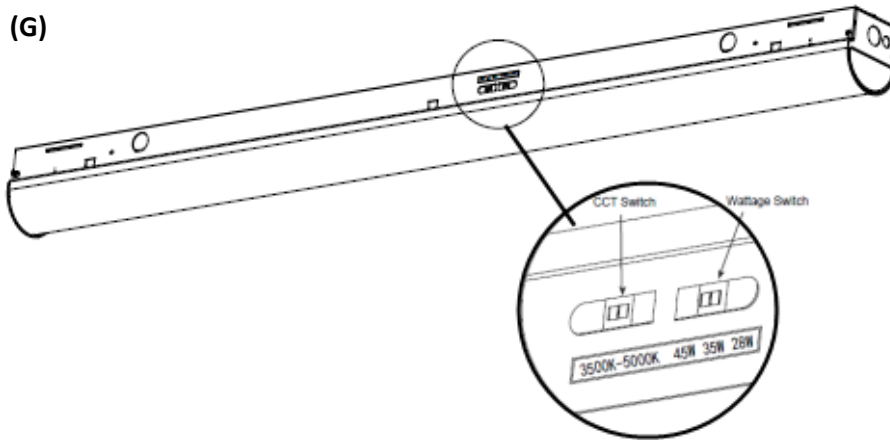
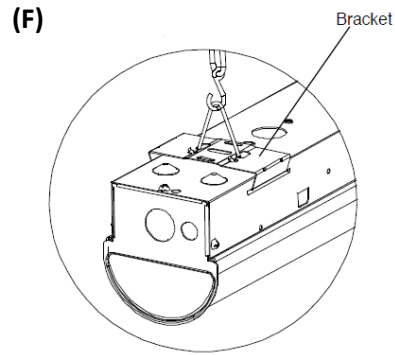
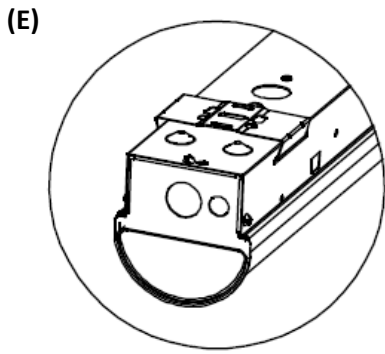
- 5: Remove the lens by gently squeezing the sides of the lens and lifting. (B)
- 6: Lift the plate that holds the LED module to access the fixture wiring compartment. (B)
- 7: Connect the wiring per the Wiring Diagram to the main power. (C)

NOTE: The polarity of the dimming connections is important to ensure the performance as desired.

NOTE: If not using the dimming functionality, DO NOT connect the Driver Dim+ (purple) to the Driver Dim- (gray). The fixture will not operate as desired. Insulate Dim(+) (purple) and Dim(-) (gray) wires separately.

- 8: Replace the LED module plate and lens. (D)
- 9: Select desired wattage and color temperature by using selector switches on side of fixture. (G)  
NOTE: Fixture preset to highest wattage and 5000K CCT.
- 10: Power can now be restored to the fixture.





## Wire Guard Installation

- 1: Unpack wire guard and hardware kit. See hardware list below.
- 2: Slide wire guard over fixture.  
NOTE: 8' strip requires (2) wire guard and hardware kits.



- 3: Attach plastic clips near each corner of the wire guard (4 total). Flat side of clips should face the fixture. Ensure clips are placed so screws will not puncture any internal components or wiring.
- 4: The wire guard should sit on the fixture so there is a gap between wire guard and fixture lens.
- 5: Screw in self-tapping screws through plastic clips to secure wire guard to fixture.



## Hardware Kit Components

- 1pc Wire guard
- 4pcs Plastic clips
- 4pcs Self-tapping screws



**(800) 451-2606**

7905 Cochran Road, Suite 300

Glenwillow, Ohio 44139 USA

E-mail: [Venture\\_Lighting@VentureLighting.com](mailto:Venture_Lighting@VentureLighting.com)

**VentureLighting.com**

