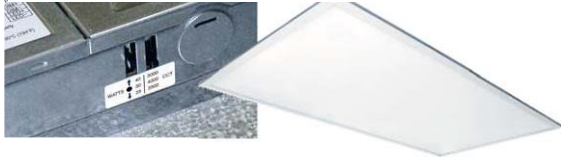


3500K

4000K

5000K



Description

Venture Lighting's Select-Pro edge-lit LED Panels are low profile, lightweight, and designed for long life and low maintenance. These luminaires are designed to quickly and easily upgrade existing fluorescent fixtures and be more versatile than other LED panels. Each panel is capable of changing to 3 different CCT settings (3500K, 4000K, 5000K) and 3 different wattage settings (3 light levels) with a simple slide switch. The flexible selection capability allows for a cost effective method to reduce stocking inventory by 88% (1 SKU instead of 9).

Construction

The housing features a metal back plate and metal driver with integrated junction box. The seamless frame is constructed of aluminum that is painted white. The high performance LED chips are edge mounted to ensure proper thermal management of the system. The design allows for cooler running LED chip which leads to longer lifetime, better efficacy, and color consistency.

Optics

Each fixture utilizes a specially engineered PPMA frosted optic with a 120° beam angle which is designed to have low glare yet maximize the product performance.

Electrical

The driver comes prewired with one black input lead (hot), one white input lead (neutral), and one green ground lead. The driver input voltage push-in terminal block can accept 16-18AWG wire (7-10mm strip length). 0-10V DC continuous dimming capability is standard. The driver dimming push-in terminal block can accept 16-20AWG wire (7-10mm strip length). Input wire connectors and one knockout bushing are included.

Mounting

The panel can be mounted in a recessed ceiling, surface mounted (optional), or suspended (optional). The panel is designed for replacing fluorescent fixtures in T-bar drop ceilings. The panel back plate includes integral T-bar clips for installation onto standard 15/16" T-grid ceilings or narrow 9/16" T-grid ceilings.

Warranty

For warranty information refer to:

<https://www.venturelighting.com/resources/warranties.html>

Model# P422-40-UNV-C&W

Product Performance

Wattage	3500K Lumen Output	4000K Lumen Output	5000K Lumen Output
40W	4660	5101	4792
30W	3746	4101	3852
25W	3370	3689	3465
Color Rendering Index (CRI)		≥ 80	
Life Hours		≥ 50,000	
Operating Temperature Range		-13°F to 113°F (-25°C to 45°C)	

Physical Characteristics

Fixture Color	White
Panel Size	2x2
Width	23.62" (600mm)
Length	23.62" (600mm)
Height	1.81" (46mm)
Weight	5.75 lbs (2.61 kg)

Electrical Characteristics

Input	120-277V, 50/60Hz, 0.35A max
Power Factor	≥ 90%
THD	≤ 20%
Dimming	0-10V DC continuous dimming capability

Regulatory Qualifications

cETLus Listed; DLC Qualified
 Type IC, inherently protected luminaire
 Dry and Damp Location Rated (IP20)

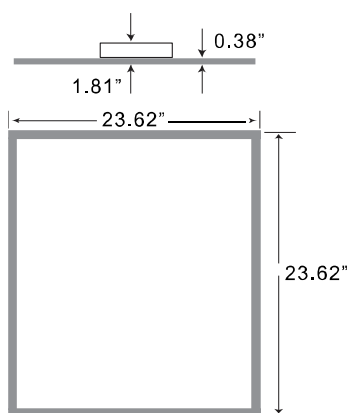
Accessories

KT14156 2X2 SURFACE MOUNT KIT, WHITE
 KT18101 2X2 DRYWALL MOUNT KIT, WHITE
 BB26329 7.8W BATTERY BACKUP
 AC25420 3/8" 3-WIRE 14/3 600V MAX 6FT FLEX WHIP
 Add suffix "-WP" to fixture model # for a factory-installed 6ft whip (Part #AC25420)
 Add suffix "-PP" to fixture model # for a factory-installed Lutron PowPack
 Add suffix "-EM" to fixture model # for a factory-installed Battery Backup (Part #BB26329)

Note: All Field-Adjustable Panels are preset at the highest wattage and 4000K CCT

Venture Lighting Select-Pro CCT/Wattage 2x2 LED Panel

Dimensions



(800) 451-2606

7905 Cochran Road, Suite 300

Glenwillow, Ohio 44139 USA

Email: Venture_Lighting@VentureLighting.com

VentureLighting.com

