

# LED WALLPACKS

## Defender

Wattage	Order Code	Lumen Output	Color Temp.	CRI	Lumen Maint. @50,000 hours†	Calc. L70@25°C Amb.(hrs)†	Fixture Color	Amp. Draw (A) 120V	Amp. Draw (A) 277V	Replaces Existing HID Wattages	Model Number
44W	WP76654	5010	5000K	80+	93%	263,000	Bronze	0.38	0.17	250W	WPA-44CEA
81W	WP92265	9525	5000K	80+	93%	250,000	Bronze	0.69	0.31	400W	WPA-81CEA

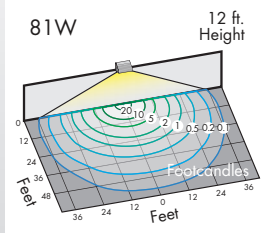
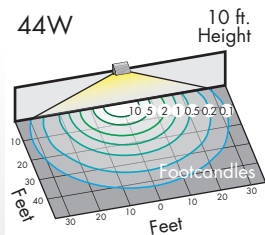
† Lumen maintenance data is based on LED testing per IESNA LM-80-08 and projected per IESNA TM-21-11

### Benefits and Features

- Rugged die cast housing with a durable powder coat finish
- Vandal resistant polycarbonate lens
- Button photocell ready - in three different locations
- Optical chamber is sealed and gasketed
- Operating temperature range of -40° C to 40° C
- 10KA surge protection
- DesignLights Consortium® (DLC) qualified
- 5 year warranty
- 80% Energy Savings
- UL Rated for wet locations
- Universal 120-277V 50/60 Hz input
- 0-10V DC dimming standard to maximize energy savings

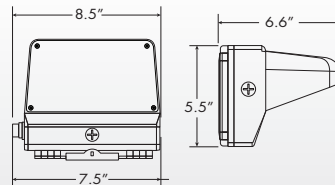


### Photometrics

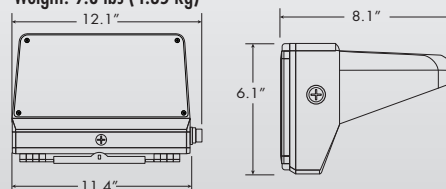


### Dimensions

44W  
Weight: 5.8 lbs (2.63 kg)

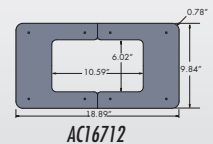
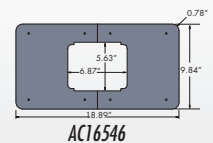


81W  
Weight: 9.6 lbs (4.35 kg)



### Accessories (Order as separate line items)

- PH56903 - Button Photocell (120-277V)
- AC16546 - Escutcheon Plates for 44W
- AC16712 - Escutcheon Plates for 81W



# LED WALLPACKS

## VWallpax



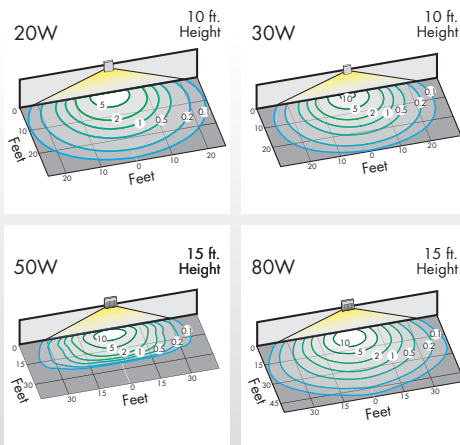
Wattage	Order Code	Lumen Output	Color Temp.	CRI	Lumen Maint. @50,000 hours <sup>†</sup>	Calc. L70@25°C Amb.(hrs) <sup>†</sup>	Fixture Color	Amp. Draw (A) 120V	Amp. Draw (A) 277V	Replaces Existing HID Wattages	Model Number
20W	WP48361	1780	4000K	80	83%	101,000	Bronze	0.17	0.09	70W	WPD-20NA
30W	WP36328	2650	4000K	80	88%	145,000	Bronze	0.25	0.12	100W	WPD-30NA
50W	WP44708	5420	4000K	75	99%	>500,000	Bronze	0.42	0.21	175W	WPD-50NA
80W	WP59416	8710	4000K	75	99%	>500,000	Bronze	0.68	0.30	250W	WPD-80NA

<sup>†</sup> Lumen maintenance data is based on LED testing per IESNA LM-80-08 and projected per IESNA TM-21-11

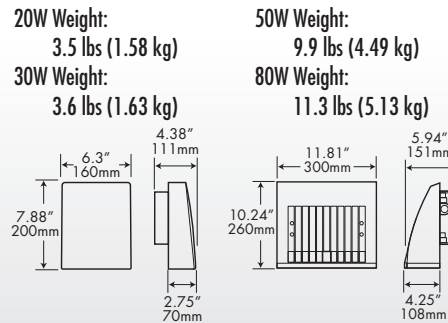
### Benefits and Features

- Optical chamber is sealed and gasketed
- Operating temperature range of -40° C to 40° C
- DesignLights Consortium® (DLC) qualified
- 3X longer life than traditional technology, reducing maintenance costs
- 5 year warranty
- 80% Energy Savings
- Universal 120-277V 50/60 Hz input
- DLC certified and cULus rated for wet locations

### Photometrics



### Dimensions



### Accessories (Order as separate line items)

- PH56903 Button Photocell (120-277V)
- KT17837 Knuckle mount conversion kit for 20W-30W fixtures only - bronze color
- KT24989 Slipfitter mount conversion kit for 50W-80W fixtures only - bronze color

