

# HIGH INTENSITY DISCHARGE LIGHTING SOLUTIONS



Super Pulse Start Long Life (SPL) Lamps



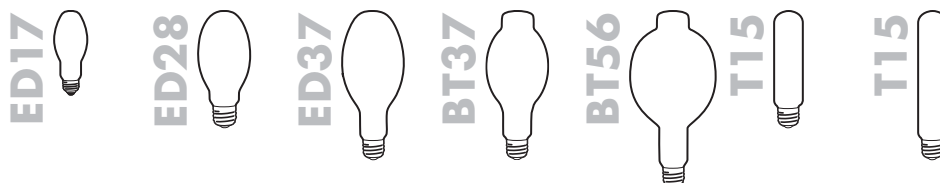
# HID METAL HALIDE LAMPS



## Standard and Pulse Start Lamps

| Watts | Order Code                  | Product Description         | ANSI Code | Case Pack |
|-------|-----------------------------|-----------------------------|-----------|-----------|
| 50    | 32100                       | MP 50W/U/UVS/PS             | M110/O    | 12        |
|       | 52312                       | MH 50W/U/PS                 | M110/E    | 12        |
| 70    | 40389                       | MP 70W/U/UVS/PS             | M98/O     | 12        |
|       | 78138                       | MH 70W/U/PS                 | M98/E     | 12        |
| 100   | 96267                       | MP 100W/U/UVS/PS            | M90/O     | 12        |
|       | 27266                       | MH 100W/U/PS                | M90/E     | 12        |
|       | 67868                       | MH 100W/U/ED28/PS           | M90/E     | 12        |
| 150   | 22455                       | MP 150W/U/UVS/PS/740        | M102/O    | 12        |
|       | 99584                       | MH 150W/U/PS/740            | M102/E    | 12        |
|       | 13556                       | MH 150W/U/ED28/PS/740       | M102/E    | 12        |
| 175   | 29145                       | MH 175W/U/PS/740            | M152/E    | 12        |
|       | 35281                       | MH 175W/C/U/PS/737          | M152/E    | 12        |
|       | 16497                       | MS 175W/BU/MED/PS/740       | M152/E    | 12        |
|       | 88791                       | MH 175W/U                   | M57/E     | 12        |
|       | 15556                       | MH 175W/U/MED               | M57/E     | 12        |
|       | 63187                       | MH 175W/C/U/MED             | M57/E     | 12        |
|       | 60811                       | MS 200W/BU/MED/PS/740       | M136/E    | 12        |
| 250   | 25028                       | MP 250W/U/UVS/PS/740        | M153/O    | 12        |
|       | 25029                       | MP 250W/C/U/UVS/PS/737      | M153/O    | 12        |
| 320   | 37517                       | MH 250W/U/PS/740            | M153/E    | 12        |
|       | 40812                       | MH 250W/C/U/PS/737          | M153/E    | 12        |
|       | 63052                       | MH 250W/U                   | M58/E     | 12        |
|       | 61290                       | MH 250W/C/U                 | M58/E     | 12        |
|       | 33479                       | MH 250W/U/T15               | M58/E     | 12        |
|       | 32028                       | MP 320W/U/ED28/UVS/PS/740   | M154/O    | 12        |
|       | 32029                       | MP 320W/C/U/ED28/UVS/PS/737 | M154/O    | 12        |
| 32037 | MP 320W/U/ED37/UVS/PS/740   | M154/O                      | 6         |           |
| 32039 | MP 320W/C/U/ED37/UVS/PS/737 | M154/O                      | 6         |           |
| 21714 | MP 320W/BU/ED37/UVS/PS/740  | M154/O                      | 6         |           |
| 12718 | MH 320W/U/ED28/PS/740       | M154/E                      | 12        |           |
| 32149 | MH 320W/C/U/ED28/PS/737     | M154/E                      | 12        |           |
| 21785 | MH 320W/U/ED37/PS/740       | M154/E                      | 6         |           |
| 41569 | MH 320W/C/U/ED37/PS/737     | M154/E                      | 6         |           |
| 57626 | MS 320W/H75/T15/S/PS/740    | M154/E                      | 12        |           |
| 79710 | MS 320W/H75/T15/L/PS/740    | M154/E                      | 12        |           |

| Watts | Order Code              | Product Description         | ANSI Code | Case Pack |
|-------|-------------------------|-----------------------------|-----------|-----------|
| 400   | 40020                   | MP 400W/U/ED28/UVS/PS/740   | M155/O    | 12        |
|       | 40022                   | MP 400W/C/U/ED28/UVS/PS/737 | M155/O    | 12        |
|       | 40037                   | MP 400W/U/UVS/PS/740        | M155/O    | 6         |
|       | 40039                   | MP 400W/C/U/UVS/PS/737      | M155/O    | 6         |
|       | 71642                   | MP 400W/V/UVS/PS/740        | M155/O    | 6         |
|       | 45541                   | MP 400W/C/V/UVS/PS/737      | M155/O    | 6         |
|       | 95527                   | MPI 400W/BU                 | M59/O     | 6         |
|       | 26091                   | MPI 400W/C/BU               | M59/O     | 6         |
|       | 18520                   | MH 400W/U                   | M59/E     | 6         |
|       | 57540                   | MH 400W/U/ED28              | M59/E     | 12        |
|       | 55422                   | MH 400W/U/T15               | M59/E     | 12        |
|       | 19824                   | MH 400W/U/ED28/PS/740       | M155/E    | 12        |
|       | 47815                   | MH 400W/C/U/ED28/PS/737     | M155/E    | 12        |
|       | 28614                   | MH 400W/U/PS/740            | M155/E    | 6         |
|       | 43934                   | MH 400W/C/U/PS/737          | M155/E    | 6         |
|       | 85260                   | MS 400W/V/ED28/PS/740       | M155/E    | 12        |
| 73531 | MS 400W/V/PS/740        | M155/E                      | 6         |           |
| 40124 | MS 400W/H75/ED28/PS/740 | M155/E                      | 12        |           |
| 58788 | MS 400W/H75/PS/740      | M155/E                      | 6         |           |
| 875   | 58953                   | MP 875W/BU/BT37/PS/740      | M166/O    | 6         |
|       | 41686                   | MP 875W/C/BU/BT37/PS/737    | M166/O    | 6         |
|       | 22619                   | MS 875W/BU/BT37/PS/740      | M166/E    | 6         |
|       | 35426                   | MS 875W/BD/BT37/PS/740      | M166/E    | 6         |
|       | 74892                   | MS 875W/H75/BT37/PS/740     | M166/E    | 6         |
| 1000  | 72051                   | MH 1000W/U                  | M47/E     | 6         |
|       | 15332                   | MH 1000W/U/BT37             | M47/E     | 6         |



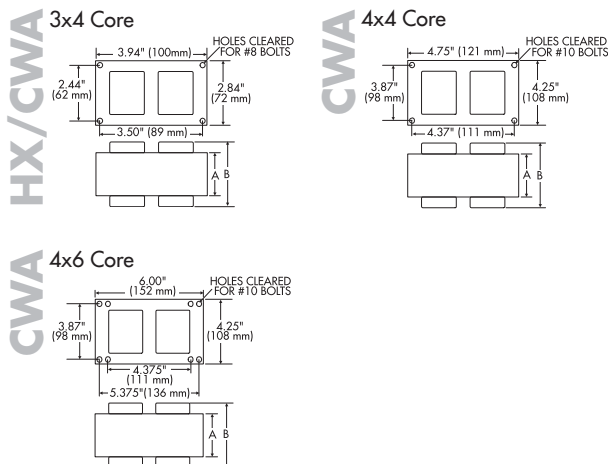
# HID METAL HALIDE BALLASTS AND LAMPS



## Standard and Pulse Start **Ballasts Kits**

| Watts      | Order Code    | Product Description      | ANSI Code    |
|------------|---------------|--------------------------|--------------|
| 50         | V90D5731K     | Quad Tap HX-HPF          | M110         |
| 70         | V90D5833K     | Quad Tap HX-HPF          | M98          |
| 100        | V90D5932K     | Quad Tap HX-HPF          | M90          |
| 150        | V90D7130K     | Quad Tap HX-HPF          | M102         |
|            | V90D7110K     | Quad Tap CWA             | M102         |
|            | V90Y7110TK    | 480V Tap CWA             | M102         |
| 175        | V90D6112K     | Quad Tap CWA             | M57          |
|            | V90Y6111TK    | 480V Tap CWA             | M57          |
|            | V90D7211K     | Quad Tap CWA             | M152         |
|            | V90Y7211TK    | 480V Tap CWA             | M152         |
| 250        | V90D6211K     | Quad Tap CWA (3x4 Core)  | M58          |
|            | V90Y6211K     | 480V Tap CWA (3x4 Core)  | M58          |
|            | V90D6215K     | Quad Tap CWA (4x4 Core)  | M58          |
|            | V90Y6212TK    | 480V Tap CWA (4x4 Core)  | M58          |
|            | V90D8412K     | Quad Tap CWA             | M153         |
|            | V90Y8411TK    | 480V Tap CWA             | M153         |
|            | 320           | V90D7413K                | Quad Tap CWA |
| V90Y7412TK |               | 480V Tap CWA             | M154         |
| V90AM7410K |               | Quint Tap CWA            | M154         |
| 400        | V90D6414K     | Quad Tap CWA             | M59          |
|            | V90Y6413TK    | 480V Tap CWA             | M59          |
|            | V90AM6411K    | Quint Tap CWA            | M59          |
|            | V90D7613K     | Quad Tap CWA             | M155         |
|            | V90Y7613TK    | 480V Tap CWA             | M155         |
|            | V90AM7610K    | Quint Tap CWA            | M155         |
| 875        | V90D8612K     | Quad Tap CWA             | M166         |
|            | V90Y8612TK    | 480V Tap CWA             | M166         |
|            | V90AM8610K    | Quint Tap CWA            | M166         |
| 1000       | V90D6517K     | Quad Tap CWA (4x6 Core)  | M47          |
|            | V90Y6517TK    | 480V Tap CWA (4x6 Core)  | M47          |
|            | V90AM6514K    | Quint Tap CWA (4x6 Core) | M47          |
|            | V90D7811K     | Quad Tap CWA             | M141         |
|            | V90Y7811TK    | 480V Tap CWA             | M141         |
| V90AM7810K | Quint Tap CWA | M141                     |              |

Notes: All ballast kits are sold individually boxed and include prewired capacitor & ignitor (when required) plus universal mounting brackets



## **SUPER PULSE START Long Life Lamps**

| Watts | Order Code | Product Description      | ANSI Code               | Case Pack |
|-------|------------|--------------------------|-------------------------|-----------|
| 100   | 21982      | MHL 100W/U/ED17/PS/740   | M90/E                   | 12        |
|       | 22498      | MHL 100W/U/ED28/PS/740   | M90/E                   | 12        |
| 150   | 35985      | MHL 150W/U/ED17/PS/740   | M102/E                  | 12        |
|       | 46105      | MHL 150W/U/ED28/PS/740   | M102/E                  | 12        |
| 250   | 46895      | MHL 250W/V/ED28/PS/740   | M153/E                  | 12        |
|       | 65413      | MHL 250W/H75/ED28/PS/740 | M153/E                  | 12        |
|       | 18635      | MHL 320W/V/ED28/PS/740   | M154/E                  | 12        |
| 320   | 20116      | MHL 320W/H75/ED28/PS/740 | M154/E                  | 12        |
|       | 38765      | MHL 320W/V/ED37/PS/740   | M154/E                  | 6         |
|       | 28699      | MHL 320W/H75/ED37/PS/740 | M154/E                  | 6         |
|       | 575        | 68735                    | MHL 575W/BU/BT37/PS/740 | M178/E    |
| 20897 |            | MHL 575W/H75/BT37/PS/740 | M178/E                  | 6         |

## **SPL (Long Life) Benefits**

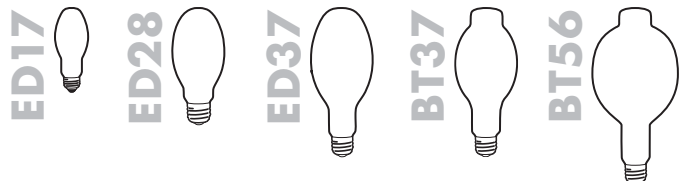
- 40,000 hours rated life; up to twice the life of most regular Metal Halide products
- Quartz metal halide
- Excellent maintained lumens with up to 114 LPW
- Ultimate retrofit solution
- Cuts maintenance costs nearly in half, while doubling life and lumen maintenance

## **Sports Lamps and Ballasts**

| Watts      | Order Code                | Product Description       | ANSI Code | Case Pack |
|------------|---------------------------|---------------------------|-----------|-----------|
| 1000       | 47503                     | MS 1000W/HOR/SPORT60      | M47/E     | 6         |
|            | V90D6517K                 | Quad Tap CWA (4x6 Core)   | M47       |           |
|            | V90Y6517TK                | 480V Tap CWA (4x6 Core)   | M47       |           |
|            | V90AM6514K                | Quint Tap CWA (4x6 Core)  | M47       |           |
| 1500       | 18360                     | MH 1500W/HBU              | M48/E     | 6         |
|            | 12342                     | MH 1500W/U/XL             | M48/E     | 6         |
|            | 82070                     | MS 1500W/HOR/XP/SPORT60   | M48/E     | 6         |
|            | V90D6612K                 | Quad Tap CWA              | M48       |           |
| 1650       | V90Y6612TK                | 480V Tap CWA              | M48       |           |
|            | 16419                     | MS 1650W/HOR/XP/SPORT60   | M112/E    | 6         |
|            | V90C6910K                 | Tri Tap CWA (120/208/240) | M112      |           |
| V90AA6910K | Tri Tap CWA (277/347/480) | M112                      |           |           |

## **Benefits**

- Brighter - High lumen output
- "Extra Life" lamp available - Venture's MH 1500W/U/XL lamp has a 6000 hour rated life
- Venture's Sports 60 lamps are designed for sports lighting aiming angles
- High lumen output lamps for efficient layout designs
- Good color rendition (65-70 CRI)



# HID SPECIALIZED METAL HALIDE



## Natural White® PS MH, 5000K, 90+ CRI Lamps

| Watts | Order Code | Product Description             | ANSI Code | Case Pack |
|-------|------------|---------------------------------|-----------|-----------|
| 320   | 95320      | MP 320W/H75/T15/S/UVS/PS/EM/950 | M154/O    | 12        |
|       | 95321      | MP 320W/H75/T15/L/UVS/PS/EM/950 | M154/O    | 12        |
|       | 98530      | MP 320W/BU/ED28/UVS/PS/EM/950   | M154/O    | 12        |
|       | 98520      | MP 320W/BU/ED37/UVS/PS/EM/950   | M154/O    | 6         |
| 400   | 57129      | MP 400W/BU/UVS/PS/EM/950        | M155/O    | 6         |
| 575   | 95575      | MP 575W/BU/BT37/PS/EM/950       | M178/O    | 6         |
|       | 95577      | MS 575W/H75/BT37/PS/EM/950      | M178/E    | 6         |
| 775   | 24983      | MP 775W/BU/BT37/PS/950          | M181/O    | 6         |
|       | 24988      | MP 775W/BD/BT37/PS/950          | M181/O    | 6         |
|       | 24999      | MS 775W/H75/BT37/PS/950         | M181/E    | 6         |

## Natural White® PS MH Ballast Kits

| Watts | Order Code | Product Description | ANSI Code | Input Watts |
|-------|------------|---------------------|-----------|-------------|
| 320   | V90D7413K  | Quad Tap CWA        | M154      | 364         |
|       | V90Y7412TK | 480V Tap CWA        | M154      | 364         |
|       | V90AM7410K | Quint Tap CWA       | M154      | 357         |
| 575   | V90D5510K  | Quad Tap CWA        | M178      | 640         |
|       | V90Y5510TK | 480V Tap CWA        | M178      | 640         |
|       | V90AM5510K | Quint Tap CWA       | M178      | 630         |
| 775   | V90D9610K  | Quad Tap CWA        | M181      | 845         |
|       | V90Y9610TK | 480V Tap CWA        | M181      | 850         |
|       | V90AM9610K | Quint Tap CWA       | M181      | 848         |

## Energy Master® Energy Saving Retrofit Lamps

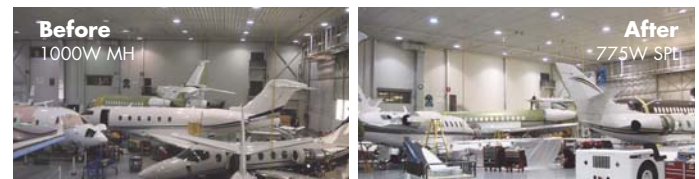
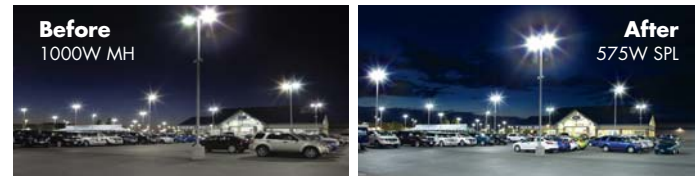
| Watts | Order Code | Product Description | Replaces Existing Wattage | Watts Saved | ANSI Code        | Case Pack |
|-------|------------|---------------------|---------------------------|-------------|------------------|-----------|
| 150   | 44810      | MH 150W/U/EM        | 175W                      | 25          | M57/E and M107/E | 12        |
|       | 69559      | MH 150W/U/ED28/EM   | 175W                      | 25          | M57/E and M107/E | 12        |
| 330   | 91834      | MPI 330W/BU/EM      | 400W                      | 70          | M59/O and M155/O | 6         |
| 360   | 38029      | MPI 360W/BU/EM      | 400W                      | 40          | M59/O and M165/O | 6         |
|       | 67293      | MPI 360W/C/BU/EM    | 400W                      | 40          | M59/O and M165/O | 6         |

## White-Lux® Metal Halide Retrofit HPS Lamps

| Watts | Order Code | Product Description | ANSI Code | Case Pack |
|-------|------------|---------------------|-----------|-----------|
| 250   | 91051      | MH 250W/U/LU        | S50/E     | 12        |
|       | 24785      | MPI 250W/BU/LU      | S50/O     | 12        |
| 400   | 52134      | MH 400W/U/LU        | S51/E     | 6         |
|       | 59441      | MH 400W/U/LU/ED28   | S51/E     | 12        |
|       | 10044      | MPI 400W/BU/LU      | S51/O     | 6         |

## Natural White® Benefits

- Crisp, bright light with 5000K CCT and 90+ CRI
- 90% maintained lumens (0.90 LLD)
- 14% Perceivable brighter light
- Extreme long life at 15,000 - 40,000 hours



Many *Natural White* lamps have an energy saving benefit. They actually run at a lower wattage when operating on magnetic ballasts. This decreases energy costs while still delivering bright, crisp white light.

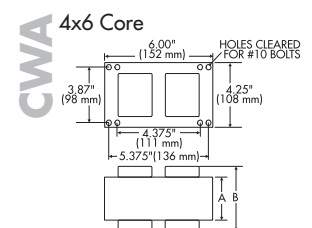
## Energy Master® Lamps Benefits

- Just change the lamp not the ballast
- Save energy; Up to \$25.50 annually per lamp
- Open rated lamps available in 330W and 360W

## White-Lux® Retrofit Lamps Benefits

- Replace yellow HPS lamps with white MH lamps
- Just change the lamp not the ballast
- Electrical and photometric compatibility with HPS systems
- Clear and coated outer jacket options
- Shrouded open-rated lamps comply with 2005 National Electric Code available in 250 and 400 watts
- Excellent color rendering (65-70 CRI vs. 22 CRI for HPS)

Notes: All ballast kits are sold individually boxed and include prewired capacitor & ignitor (when required) plus universal mounting brackets.



# HID HIGH PRESSURE SODIUM, CAPS AND IGNITORS



## HPS Lamps

| Watts | Order Code | Product Description | ANSI Code | Case Pack |
|-------|------------|---------------------|-----------|-----------|
| 50    | 23002      | LU50/MED/ECO        | S68/E     | 12        |
|       | 23010      | LU50                | S68/E     | 12        |
| 70    | 23012      | LU70/ECO            | S62/E     | 12        |
|       | 23004      | LU70/MED/ECO        | S62/E     | 12        |
| 100   | 23014      | LU100/ECO           | S54/E     | 12        |
|       | 23006      | LU100/MED/ECO       | S54/E     | 12        |
| 150   | 23016      | LU150/55/ECO        | S55/E     | 12        |
|       | 23008      | LU150/55/MED/ECO    | S55/E     | 12        |
| 250   | 23019      | LU250/ECO           | S50/E     | 36        |
| 400   | 23022      | LU400/ECO           | S51/E     | 36        |
| 1000  | 23025      | LU1000/ECO          | S52/E     | 12        |

## HPS Ballast Kits

| Watts | Order Code | Product Description | ANSI Code |
|-------|------------|---------------------|-----------|
| 50    | V90B1120K  | 120V Reactor        | S68       |
|       | V90H1132K  | Dual Tap HX-HPF     | S68       |
| 70    | V90B1222K  | 120V Reactor        | S62       |
|       | V90D1233K  | Quad Tap HX-HPF     | S62       |
| 100   | V90B1322K  | 120V Reactor        | S54       |
|       | V90D1333K  | Quad Tap HX-HPF     | S54       |
| 150   | V90B1422K  | 120V Reactor        | S55       |
|       | V90D1435K  | Quad Tap HX-HPF     | S55       |
| 250   | V90D1711K  | Quad Tap CWA        | S50       |
|       | V90Y1711TK | 480V Tap CWA        | S50       |
| 400   | V90D1912K  | Quad Tap CWA        | S51       |
|       | V90Y1912TK | 480V Tap CWA        | S51       |
| 1000  | V90D2315K  | Quad Tap CWA        | S52       |
|       | V90Y2311TK | 480V Tap CWA        | S52       |

## Capacitors

| Product Code | Type     | Micro-Farads | VAC |
|--------------|----------|--------------|-----|
| ACG033       | Dry Film | 6            | 330 |
| ACG310       | Dry Film | 8            | 280 |
| ACG279       | Dry Film | 10           | 400 |
| ACG321       | Dry Film | 12           | 330 |
| ACG303       | Dry Film | 12.5         | 330 |
| ACG277       | Dry Film | 15           | 400 |
| ACG301       | Dry Film | 16           | 330 |
| ACB3270V     | Oil Cap  | 22           | 525 |
| ACG247       | Dry Film | 24           | 400 |
| ACB2200V     | Oil Cap  | 24           | 480 |
| ACG278       | Dry Film | 26           | 400 |
| ACB2640V     | Oil Cap  | 26           | 525 |
| ACG263       | Dry Film | 30           | 280 |
| ACB2560V     | Oil Cap  | 32           | 525 |
| ACG312       | Dry Film | 38           | 330 |
| ACG255       | Dry Film | 55           | 300 |

## Replacement Ignitors

| Product Code | Product Description |
|--------------|---------------------|
| BVS004A      | 35-150W HPS REACTOR |
| BVS005A      | 200-430W HPS        |
| BVS006A      | 35-150W HPS         |
| BVS020       | 875-1000W HPS/PSMH  |
| BVS032       | Low Watt PSMH HX    |
| BVS041       | Mid Watt PSMH CWA   |
| BVS045       | Mid Watt PSMH HX    |

## Replacement Sockets

Standard medium and mogul enclosed-rated (E26, E39), open-rated (EX26, EX39), and position oriented mogul (EP39) bases are available. Contact Venture Lighting for more information

