



## Benefits/Features

- Fully adjustable high and low dimmed light levels; optional dusk to dawn control
- Controls 0-10V dim-to-off LED drivers or ballasts
- Adjustable via handheld wireless configuration tool
- IP66 rated with choice of lenses for wet and outdoor locations, and mounting heights from 8' to 40'
- Adjustable time delay and cut off delay

## Description

The sensor mounts in an outdoor lighting fixture and provides multi-level control based on motion and/or daylight contribution. It controls 0-10 VDC dim-to-off LED drivers or ballasts, the sensor is rated for wet and cold locations. All control parameters are adjustable via a wireless configuration tool capable of storing and transmitting sensor profiles.

## Operation

Typically, the sensor ramps lighting On to the selected High mode level when motion is detected and the ambient light level is below the hold off setpoint. After the sensor stops detecting movement and the time delay elapses, lights fade to the Low mode level. If there is no motion during the subsequent cut off time delay, the lights will turn Off. For dusk to dawn control, the integral photocell can switch the lights On and Off based on the ambient light level so that lighting remains on overnight even without motion detection.

## Physical Characteristics

|                             |                     |
|-----------------------------|---------------------|
| Overall Length              | 3.79" (96 mm)       |
| Overall Width               | 1.38" (35 mm)       |
| Depth                       | 1.55" (39 mm)       |
| Weight                      | 0.14 lbs (60 grams) |
| Operating Temperature Range | -40°C to 75°C       |
| IP66 Rated                  |                     |

## Electrical Characteristics

|                     |           |
|---------------------|-----------|
| Input Voltage Range | 12-32 VDC |
| Current Consumption | 15mA max. |
| Dimming             | 0-10 VDC  |

## Regulatory Qualifications

cULus Listed

## Default Settings

Default settings  
 Time Delay: 5 min.  
 Cutoff delay: 1 hr  
 Photocell: disabled  
 High dim setting 10V DC  
 Low dim setting 1V DC

## Accessories

PH46224 Wireless programming tool

PH47512 Sensor lens for area lighting (high mounting height applications)

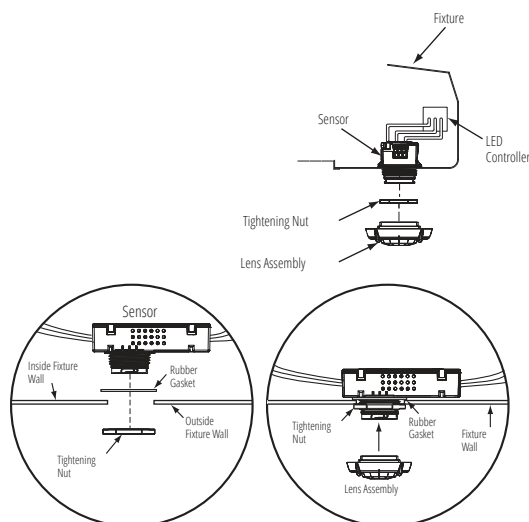
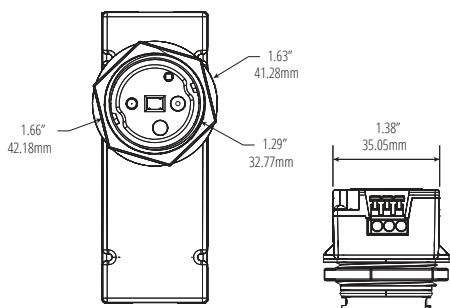
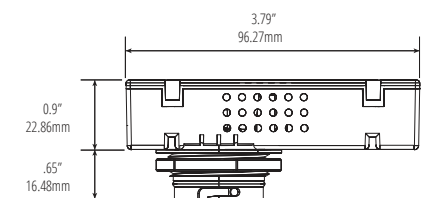
PH18673 Sensor lens for garage (low mounting height applications)

NOTE: Wireless Programming Tool (Order Code: PH46224) needed to reprogram sensor.  
 NOTE: A lens accessory must be installed on the sensor for proper operation.



# Venture Wireless Low Voltage Motion/Dim/Photocell Sensor

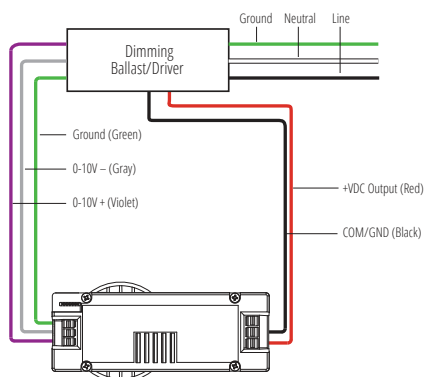
## Dimensions and Mounting



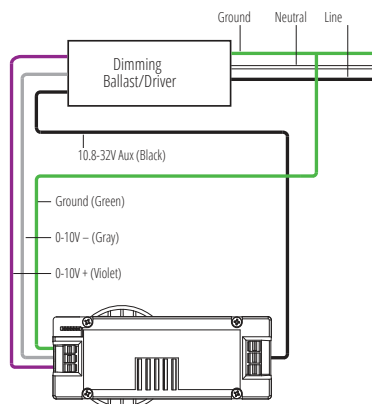
The Sensor accommodates fixture wall thickness up to 0.125" (3.18mm).

## Wiring

Typical wiring with dim-to-off ballast or LED driver with auxiliary output



Alternate wiring with dim-to-off ballast or LED driver with auxiliary output



**(800) 451-2606**  
 Fax: (800) 451-2605  
 2451 Enterprise Parkway East  
 Twinsburg, Ohio 44087 USA  
 E-mail: [venture@adlt.com](mailto:venture@adlt.com)  
**VentureLighting.com**

