



## Before You Begin

Read These Instructions Completely and Carefully



## UNPACKING

- Unpack and carefully examine the product.
- Report any damage and save all packing materials if any part(s) were damaged during shipping.
- Do not attempt to install or use this equipment if it is damaged.

## INCLUDED IN THIS BOX

- LED Fixture.
- Installation instructions.

## **⚠️ WARNING – RISK OF FIRE, ELECTRIC SHOCK, INJURY, OR PROPERTY DAMAGE**

- Failure to follow these instructions or altering equipment could result in injury or damage and void warranty. Venture assumes no liability for injury, damages or losses of any kind that may arise from the improper, careless, or negligent installation, handling or use of this product.
- This equipment must be installed and serviced per applicable codes and ordinances by qualified personnel (ex. licensed electrician) familiar with the operation of the product and any hazards involved.
- Disconnect power to the equipment and allow to cool before installing or servicing.
- Handle sharp edges with care. To prevent wiring damage, do not expose wiring to sharp edges.
- Verify that all electrical connections have been properly made and the fixture is grounded to avoid potential electrical shocks.
- It is the installers responsibility to confirm the proper input voltage is used with this equipment.
- Do not handle energized equipment when hands are wet, when standing on wet surfaces, or in water.
- This fixture must be mounted securely to a ceiling or structure to support the weight.
- This fixture may be provided with a factory-installed battery back-up option. Refer to the battery back-up user manual for installation and operating instructions.

## SUPPLIER'S DECLARATION OF CONFORMITY (SDoC)

- This equipment complies with the limits for a Class A digital device, pursuant to Part 15 Subpart B of the FCC Rules. These limits are designed to provide reasonable protection against harmful interference when the equipment is operated in a commercial, industrial or business environment.
- This equipment complies with the limits for a Class A lighting equipment, pursuant to Innovation, Science and Economic Development Canada's CAN ICES-005 (A) / NMB-005 (A).

For warranty information refer to <https://www.venturelighting.com/resources/warranties.html>.

# IMPORTANT SAFETY INFORMATION

- Operating temperature: -20°C to +50°C (-4°F to +122°F).
- Suitable for use in damp and dry locations only.
- All wiring and connectors used with this equipment shall be rated a minimum of 90°C (194°F).
- Green ground screw provided in proper location. Do not relocate.

## Installation Instructions

- 1: Disconnect power from the existing luminaire and follow proper lockout/tagout procedures before beginning installation or maintenance.
- 2: Remove the existing luminaire. Dispose of the lamp(s) and ballast(s) per local requirements.
- 3: Remove the lens from the housing near one end of the housing by using the suction cups provided. (A)  
Press the suction cup onto one side of the lens, pull up on the suction cup to detach the lens from the luminaire housing. (B)
- 4: Use a screwdriver to punch out one of the knockout holes and pass the electrical cable into the housing.

### 5: **SURFACE MOUNTING:**

Use the luminaire as a template by placing it on the junction box and mark the mounting surface with the four mount positions.

Drill the four holes for the anchors. Insert an anchor (not included) into each pre-drilled hole. Secure the luminaire to the mounting surface by securing the screws into each anchor. (C)

### **SUSPENSION MOUNTING:**

Connect suspension cable/chain to ceiling structure. Connect S-Hooks to fixture using the fixture pre-drilled holes. (Cable/Chain not included) (D)

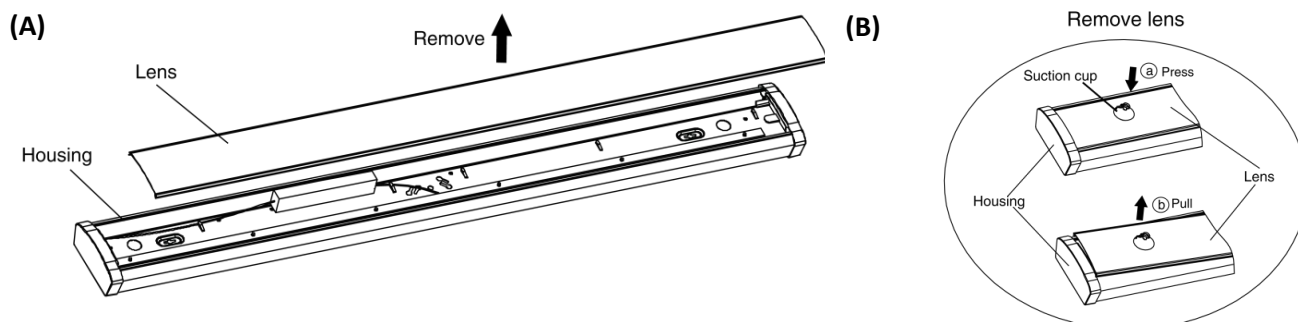
- 6: Make the necessary wiring connections as shown in the wiring diagram. (E)

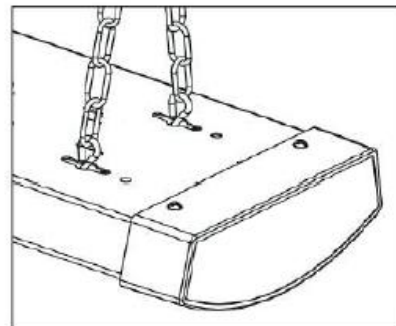
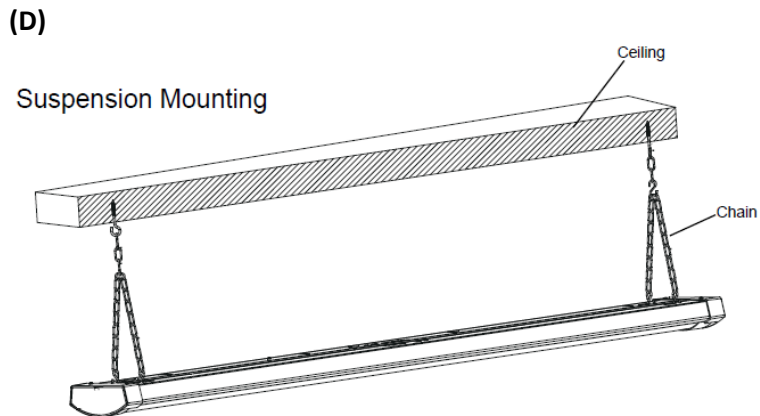
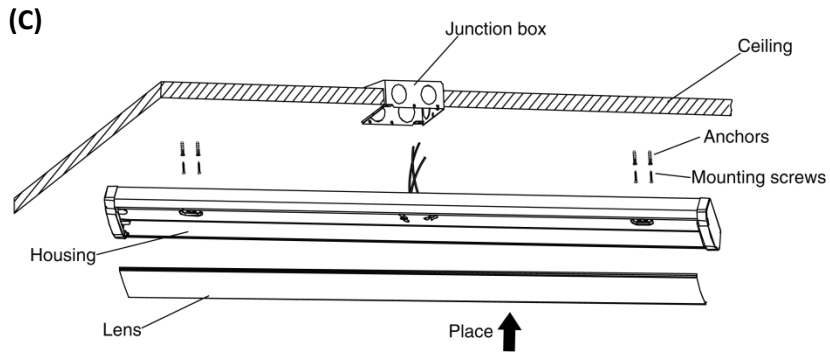
NOTE: The polarity of the dimming connections is important to ensure the performance as desired.

NOTE: If not using the dimming functionality, DO NOT connect the Driver Dim(+) (purple) to the Driver Dim(-) (gray). The fixture will not operate as desired.

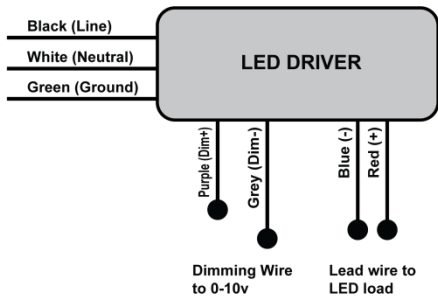
NOTE: If not using the dimming functionality, insulate Dim(+) (purple) and Dim(-) (gray) wires separately. Bare wires should not be exposed.

- 7: Install the lens starting at one end of the housing. Insert lens slot into the edge of the housing. Carefully squeeze the lens to engage the opposite side of the lens with housing. Continue the action down the length of the lens until it is fully installed onto the housing. (F)
- 8: Power can now be restored to the fixture.

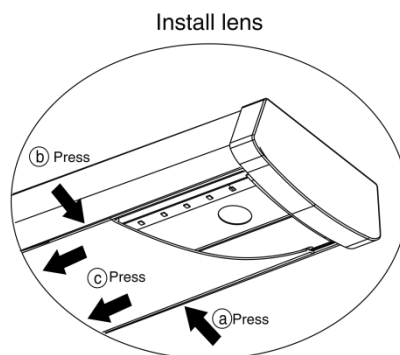




**(E) Wiring Diagram**



**(F)**



**(800) 451-2606**  
 7905 Cochran Road, Suite 300  
 Glenwillow, Ohio 44139 USA  
 E-mail: [Venture\\_Lighting@VentureLighting.com](mailto:Venture_Lighting@VentureLighting.com)  
**VentureLighting.com**

