

LINEAR STRIP LIGHT LUMINAIRES



Description

Venture Lighting's LED linear strip light luminaires are an excellent choice for either continuous row or stand-alone applications where a value-based lighting solution is required. Offered in multiple lengths, lumen packages and with a variety installation mounting features, Venture's strip lights can be a primary linear solution. In addition to versatility, all of Venture's strip lights are DLC Premium listed, allowing the ability to maximize your energy savings and potentially obtain the highest rebates in your area.

Performance

- CCT options: 3500K, 4000K, or 5000K
- CRI: 80+
- DLC Premium Certified
- Efficiency of up to 134 lumens per Watt

Construction

- The housing is constructed from cold rolled steel to provide rigidity and strength.
- Each housing is finished with a white polyester powder coat.
- Fixtures are designed for individual or continuous row mounting.
- Each fixture is supplied with a pair of easy to use surface mount clips.

Optics

- Semi-diffuse acrylic lens standard
- Lens easily removed to allow access to fixture wiring compartment.

Electrical

- Standard Universal Voltage - 120-277V 50/60 Hz
- Standard 0-10V DC dimming (Wattage range: 10% to 100%)
- Optional 10W battery back-up factory installation available
- Operating Temperature Range: -4°F to 122°F (-20°C to 50°C)

Installation

- Fixtures snap into surface mount clips (supplied) for quickly installing onto a ceiling or wall.
- Fixtures are also capable of being suspended by the clip and hook provided.

Controls

- Standard 0-10V DC dimming (Wattage range: 10% to 100%)
- Factory installed motion sensor options available

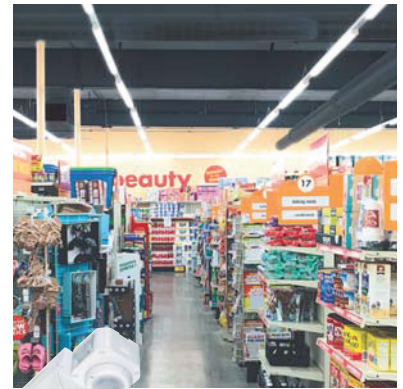
Warranty

- 5-year warranty

Compliance

- cULUS Listed
- DLC Premium Certified
- Rated for damp and dry locations

Catalog Number
Type
Date
Notes



Shown with factory installed Bluetooth PIR Sensor

Surface mount brackets, included



Ordering & Model Number Information

Luminaire Length	Luminaire Wattage	Order Code	Product Description	DLC Model Number	Replaces Existing Luminaire
4ft	30W	SM16298	3500K; 120-277V; 3960 lm	SM3-30B84AD	2 x 32W T8 Fluorescent
		SM87612	4000K; 120-277V; 3990 lm	SM3-30N84AD	
	45W	SM12536	5000K; 120-277V; 4020 lm	SM3-30C84AD	2 x 32W T8 Fluorescent
		SM55014	3500K; 120-277V; 5850 lm	SM4-45B84AD	
8ft	54W	SM59116	4000K; 120-277V; 5900 lm	SM4-45N84AD	80W T12 Fluorescent
		SM19897	5000K; 120-277V; 5940 lm	SM4-45C84AD	
	90W	SM15401	3500K; 120-277V; 7120 lm	SM3-54B88AD	200W T12 Fluorescent
		SM51723	4000K; 120-277V; 7180 lm	SM3-54N88AD	
		SM85903	5000K; 120-277V; 7230 lm	SM3-54C88AD	
		SM81371*	3500K; 120-277V; 11700 lm	SM4-90B88AD	
SM54127	4000K; 120-277V; 11790 lm	SM4-90N88AD	200W T12 Fluorescent		
SM80426	5000K; 120-277V; 11800 lm	SM4-90C88AD			

* Contact for lead time

Factory installed accessories are available, see page 2.

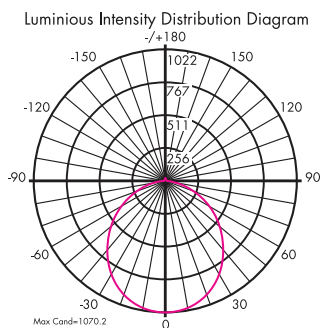
LINEAR STRIP LIGHT LUMINAIRES

Performance Data

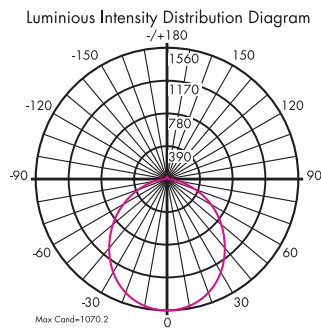
Wattage	CCT (°K)	Lumen Output	CRI	Lumens Per Watt	Amp. Draw (A)		Rated Life Hours	Full Power IES File	Battery Back-up Mode Lumens	Battery Back-up Mode IES File
					120V	277V				
30W	3500K	3960	80	132	0.25	0.11	50,000	IES File	1630	IES File
	4000K	3990		133				IES File		IES File
	5000K	4020		134				IES File		IES File
45W	3500K	5850	80	130	0.38	0.17	50,000	IES File	1830	IES File
	4000K	5900		131				IES File		IES File
	5000K	5940		132				IES File		IES File
54W	3500K	7120	80	132	0.45	0.20	50,000	IES File	1880	IES File
	4000K	7180		133				IES File		IES File
	5000K	7230		134				IES File		IES File
90W	3500K	11700	80	130	0.75	0.33	50,000	IES File	1880	IES File
	4000K	11790		131				IES File		IES File
	5000K	11880		132				IES File		IES File

Photometrics

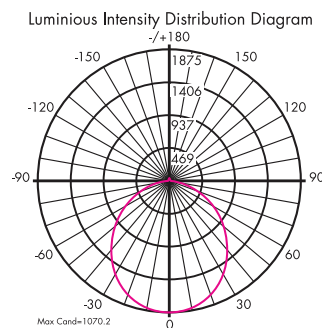
30W Linear Strip Light



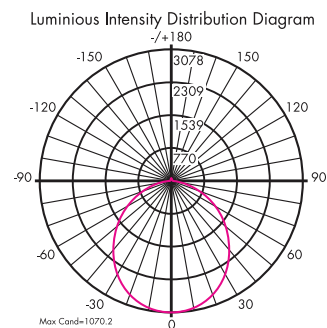
45W Linear Strip Light



54W Linear Strip Light



90W Linear Strip Light

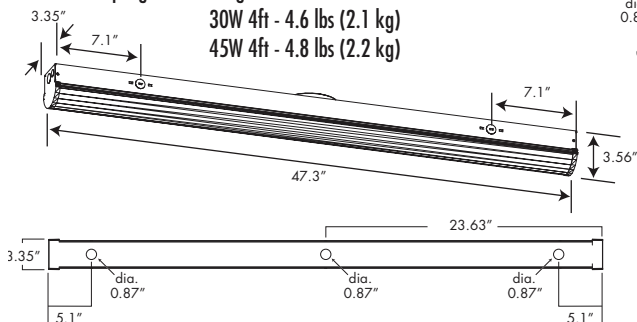


Dimensions

4ft Linear Strip Light

Weights

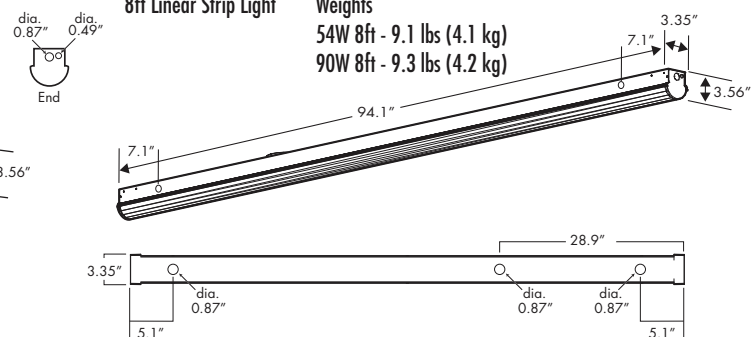
30W 4ft - 4.6 lbs (2.1 kg)
45W 4ft - 4.8 lbs (2.2 kg)



8ft Linear Strip Light

Weights

54W 8ft - 9.1 lbs (4.1 kg)
90W 8ft - 9.3 lbs (4.2 kg)



Accessories

- PH41623 - Motion only control sensor
- PH77409 - Motion/Photocell/Dim control sensor
- AC25420 - 3/8" 3-wire 14/3 600V Max. 6ft Flex.Whip
- AC13812 - Surface mount clips and hooks
- AC35187 - Row alignment accessory
- LN18733 - Replacement 4ft lens, acrylic
- LN18734 - Replacement 8ft lens, acrylic
- KT12139 - 4ft wire guard kit, (2) would be required for 8ft fixtures
- KT31549 - Bluetooth PIR Sensor (white)

Factory installed accessories:

- Add suffix "-S1" for a MOTION ONLY Sensor; Part # PH41623
- Add suffix "-S2" for a MOTION/DIM/PHOTOCELL Sensor; Part # PH77409
- Add suffix "-S5" for a Bluetooth PIR Sensor; Part # KT31549
- Add suffix "-EM" for a 10W battery back-up
- Add suffix "-WP1" for 6ft 3-wire whip on the end of the strip.
- Add suffix "-WP2" for 6ft 3-wire whip on the back of the strip.



(800) 451-2606

7905 Cochran Road, Suite 300

Glenwillow, OH 44139 USA

E-mail: Venture_Lighting@VentureLighting.com

VentureLighting.com