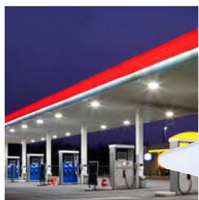




# 150W LED Gas Station Canopy

Order Code: CP51419



## Description

The Venture Lighting Gas Station canopy is a surface mount luminaire with a low profile, lightweight design featuring long life and low maintenance. These IP65 rated fixtures are designed for easy replacement of existing gas station canopy fixtures.

## Construction

The housing unit is constructed from heavy-duty aluminum. Fixtures are finished with a durable white polyester powder coating. To ensure weather-tight protection, each optical assembly is sealed with a silicone gasket. Luminaires are rated for an ambient operating temperature range of -40°C to 40°C.

## Electrical

The power supply has a range of 120-277V, 50/60 Hz. These fixtures are not dimmable.

## Mounting

The fixture is designed for surface mounting.

DLC Model# CPT-150CFA1

## Product Performance

Wattage	150W
Lumen Output	19525
Correlated Color Temperature (CCT)	5000K
Color Rendering Index (CRI)	80
Operating Temperature Range	-40°F to 103°F (-40°C to 40°C)

## Physical Characteristics

Fixture Color	White
Weight	14.5 lbs
Width	20.5"
Length	20.5"
Height	9.5"

## Electrical Characteristics

Amperage Draw (Input Volts/Amps)	120/1.30 208/0.75 240/0.65 277/0.56
----------------------------------	-------------------------------------

## Regulatory Qualifications

cULus Listed

DLC Qualified - Model# CPT-150CFA1

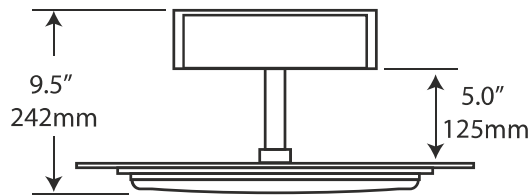
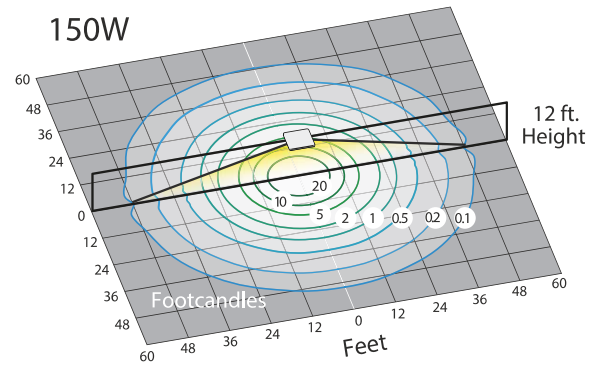
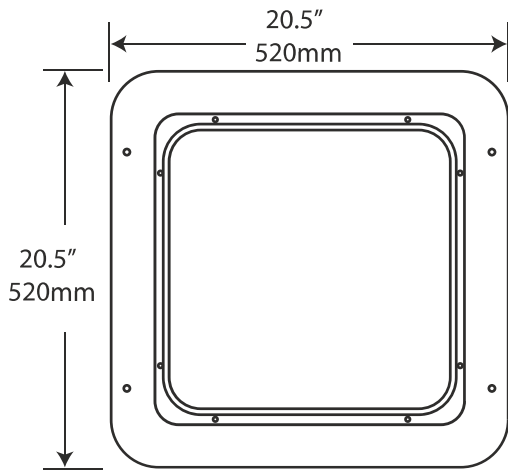
IP65

## Accessories

SP12714 – 120-277V Surge Protector



# Venture 150W LED Gas Station Canopy



(800) 451-2606  
Fax: (800) 451-2605  
2451 Enterprise Parkway East  
Twinsburg, Ohio 44087 USA  
E-mail: [venture@adlt.com](mailto:venture@adlt.com)  
[VentureLighting.com](http://VentureLighting.com)

