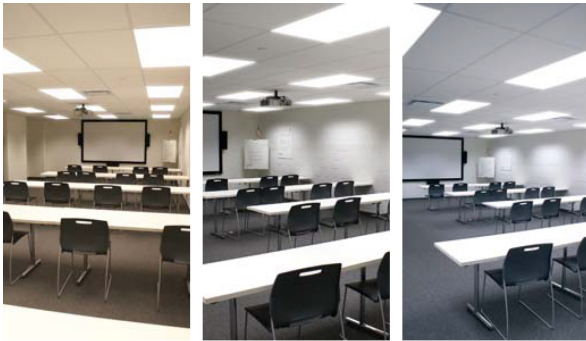




# 38W LED Panel - Color Selectable

Order Code: PN38592

## CCT Selectable: 3500K / 4000K / 5000K



3500K

4000K

5000K

### Description

Venture Lighting's color temperature selectable LED panels are low profile, lightweight, and designed for long life and low maintenance. These thin luminaires are designed to quickly and easily upgrade existing fluorescent fixtures and be more versatile than other LED panels. The high performance LED source is mounted to ensure proper thermal management of the system. Each fixture is capable of changing CCT with a simple flip of a switch. The CCT Selection method allows for a cost effective method to reduce stocking inventory by 66%.

- Change from 3500K, 4000K or 5000K with just the flip of a switch.
- All CCT Selectable Panel fixtures are preset to 4000K at the factory.

### Construction

The high performance LED source is mounted to ensure proper thermal management of the system. The design allows for a cooler running LED chip which leads to longer lifetime, better efficacy, and color consistency.

### Optics

Each fixture utilizes a specially engineered optic which is designed to have low glare yet maximize the product performance.

### Electrical

The power supply has a range of 120-277V, 50/60 Hz. Driver input voltage terminal block can use 12 to 22 wire gauge. Driver output voltage terminal block can use 16 to 22 wire gauge. 0-10V DC dimming capability is standard.

### Mounting

The fixture is designed for replacing fluorescent fixtures in T-grid applications. Fixtures are IC-rated and rated for damp and dry locations.

### Product Performance

Wattage	38W		
	CCT	DLC Model#	Lumen Output
	Standard	4000K P122-40N-ANR-C	4140
	Field Selectable	3500K P122-40B-ANR-C	4050
	Field Selectable	5000K P122-40C-ANR-C	4535
Color Rendering Index (CRI)	80+		
Life Hours	50000		
Operating Temperature Range	-13°F to 113°F (-25°C to 45°C)		

### Physical Characteristics

Fixture Color	White
Weight	8.1 lbs
Width	23.7"
Length	23.7"
Height	1.9"
Panel Size	2x2

### Electrical Characteristics

Amperage Draw (Input Volts/Amps)	120/0.34 208/0.20 240/0.17 277/0.15
----------------------------------	-------------------------------------

### Regulatory Qualifications

cULus Listed

DLC Model# (4000K) P122-40N-ANR-C

DLC Model# (3500K) P122-40B-ANR-C

DLC Model# (5000K) P122-40C-ANR-C

IC-Rated

### Accessories

KT14156 2X2 SURFACE MOUNT KIT, WHITE

KT18101 2X2 DRYWALL MOUNT KIT, WHITE

BB23468 BATTERY BACK-UP\*

AC25420 - AFC 3/8 F - 3146 14/3X6' FIX WHIP, 3-WIRE 120V

Add suffix "-WP" to order code for a factory installed fixture with a 6ft whip (Part # AC25420)

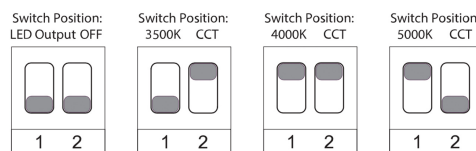
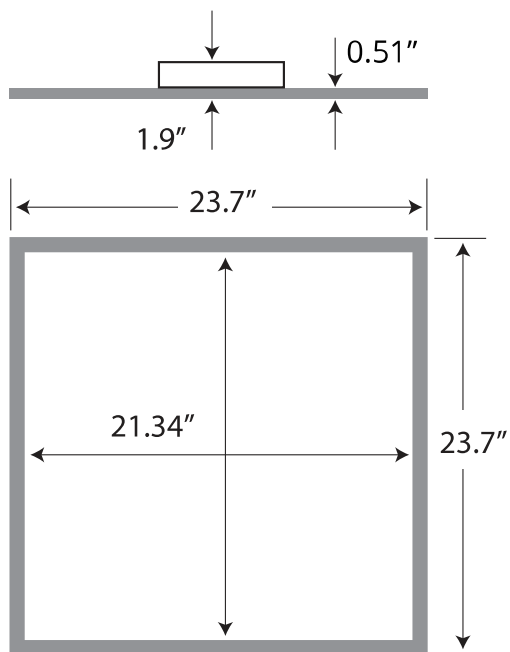
Add suffix "-PP" to order code for a factory installed fixture with PowPack.

\*For a factory installed Battery Backup add "-EM" after order code (Lumens 1130) – Temp range for battery backup: (0-45°C)



# Venture 38W LED Panel - Color Selectable

## 38W LED Panel (2x2)



(800) 451-2606  
Fax: (800) 451-2605  
2451 Enterprise Parkway East  
Twinsburg, Ohio 44087 USA  
E-mail: [venture@adlt.com](mailto:venture@adlt.com)  
[VentureLighting.com](http://VentureLighting.com)

