



VFLOOD - 121W LED Flood Light

Order Code: FL15312



Description

VFLOOD is a low profile, lightweight LED Flood Light fixture, designed for long life and low maintenance. The fixtures are designed to quickly and easily upgrade existing flood fixtures. Twist lock photocell receptacle and shorting cap included with the fixture.

Construction

The housing unit is constructed from heavy-duty, die cast aluminum. Fixtures are finished with a durable bronze polyester powder coating. To ensure weather-tight protection and to keep out contaminants, each optical assembly is sealed with a silicone gasket. Each unit is rated for wet locations.

Electrical

The Class II power supply has a range of 347-480V, 50/60 Hz. 0-10V dimming capability is standard.

Mounting

Fixtures can be mounted by a 6" straight arm extension, a slipfitter mount that fits onto a 2-3/8" tenon, or a yoke mount. Not included with fixture. Order separately.

DLC Model# FA-120N5B

Product Performance

Wattage	121W
Lumen Output	13700
Correlated Color Temperature (CCT)	4000K
Color Rendering Index (CRI)	80
Lumen Maintenance @50,000 hours*	93%
Calculated L70 @ 25°C Ambient in Hours*	268,000
Replaces HID Wattage	400W
Operating Temperature Range	-40°F to 104°F (-40°C to 40°C)

Physical Characteristics

Fixture Color	Bronze
EPA	0.32
Weight	13.1 lbs
Width	10.63"
Length	15"
Height	5.5"

Electrical Characteristics

Amperage Draw (Input Volts/Amps)	347/0.36 480/0.27
Surge Protection	10kA

Regulatory Qualifications

cULus Listed
DLC Qualified - Model# FA-120N5B
Rated for wet locations

Accessories

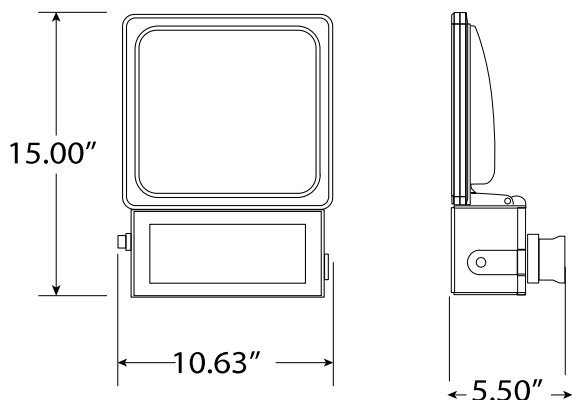
FL64171 U-Bracket for 121W LED VFlood
FL22402 6" Straight Arm, Square Pole - Brz
FL25107 Adjustable Slipfitter for LED VFloods
PH81156 Twist lock 480V input photocell
PH87145 Twist lock 347V input photocell
PH81975 Twist lock shorting cap
FL26815 6" straight arm, 4" round pole, BRZ
SP12826 - 347-480V Surge Protector

Notes:

*Lumen maintenance data is based on LED testing per IESNA LM-80-08 and projected per IESNA TM-21-11



Venture VFLOOD - 121W LED Flood Light



121W VFlood Mounting Accessories			
Part #	Description	Weight (lbs)	Accessory EPA
FL64171	U-Bracket for 121W Flood	1.3	0.08
FL22402	6" straight arm for square pole	1.3	0.13
FL26815	6" straight arm, 4" dia/ round pole	1.3	0.13
FL25107	Slipfitter fits into 2-3/8" mast arm (tenon)	3.3	0.19



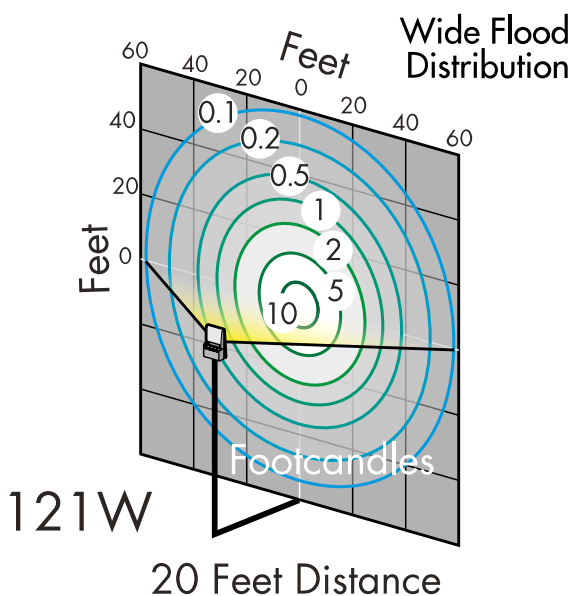
FL64171



FL22402



FL25107



FL26815

(800) 451-2606
 Fax: (800) 451-2605
 2451 Enterprise Parkway East
 Twinsburg, Ohio 44087 USA
 E-mail: Venture_Lighting@VentureLighting.com
VentureLighting.com

