



### Description

VFLOOD is a low profile, lightweight LED Flood Light fixture, designed for long life and low maintenance. The fixtures are designed to quickly and easily upgrade existing flood fixtures. Twist lock photocell receptacle and shorting cap included with the fixture.

### Construction

The housing unit is constructed from heavy-duty, die cast aluminum. Fixtures are finished with a durable bronze polyester powder coating. To ensure weather-tight protection and to keep out contaminants, each optical assembly is sealed with a silicone gasket. Each unit is rated for wet locations.

### Electrical

The Class II power supply has a range of 120-277V, 50/60 Hz. 0-10V dimming capability is standard.

### Mounting

Fixtures can be mounted by a 6" straight arm extension, a slipfitter mount that fits onto a 2-3/8" tenon, or a yoke mount. Not included with fixture. Order separately.

### DLC Model# FA-212N5A

#### Product Performance

|   |                                |
|---|--------------------------------|
| Wattage                                 | 212W                           |
| Lumen Output                            | 23640                          |
| Correlated Color Temperature (CCT)      | 4000K                          |
| Color Rendering Index (CRI)             | 80                             |
| Lumen Maintenance @50,000 hours*        | 93%                            |
| Calculated L70 @ 25°C Ambient in Hours* | 258,000                        |
| Replaces HID Wattage                    | 1000W                          |
| Operating Temperature Range             | -40°F to 104°F (-40°C to 40°C) |

#### Physical Characteristics

|               |          |
|---------------|----------|
| Fixture Color | Bronze   |
| EPA           | 0.51     |
| Weight        | 21.8 lbs |
| Width         | 13.25"   |
| Length        | 19.25"   |
| Height        | 6.25"    |

#### Electrical Characteristics

|                                  |                                     |
|----------------------------------|-------------------------------------|
| Amperage Draw (Input Volts/Amps) | 120/1.78 208/1.10 240/0.90 277/0.78 |
| Surge Protection                 | 10kA                                |

#### Regulatory Qualifications

cULus Listed

DLC Qualified - Model# FA-212N5A

Rated for wet locations

#### Accessories

FL99436 U-Bracket for 212W LED VFlood

FL22402 6" Straight Arm, Square Pole - Brz

FL25107 Adjustable Slipfitter for LED VFloods

PH12415 Twist lock photocell

PH81975 Twist lock shorting cap

FL26815 6" STRAIGHT ARM, 4" DIA ROUND POLE, BRZ

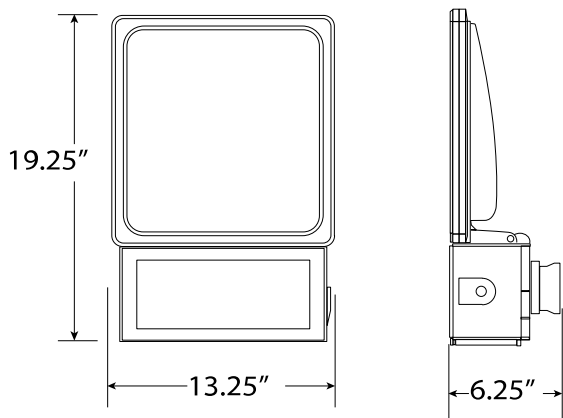
SP12714 - 120-277V Surge Protector

### Notes:

\*Lumen maintenance data is based on LED testing per IESNA LM-80-08 and projected per IESNA TM-21-11



# Venture VFLOOD - 212W LED Flood Light



| 212W VFlood Mounting Accessories |  |              |               |
|----------------------------------|--|--------------|---------------|
| Part #                           | Description                                  | Weight (lbs) | Accessory EPA |
| FL99436                          | U-Bracket for 212W Flood                     | 1.6          | 0.11          |
| FL22402                          | 6" straight arm for square pole              | 1.3          | 0.13          |
| FL26815                          | 6" straight arm, 4" dia/ round pole          | 1.3          | 0.13          |
| FL25107                          | Slipfitter fits into 2-3/8" mast arm (tenon) | 3.3          | 0.19          |



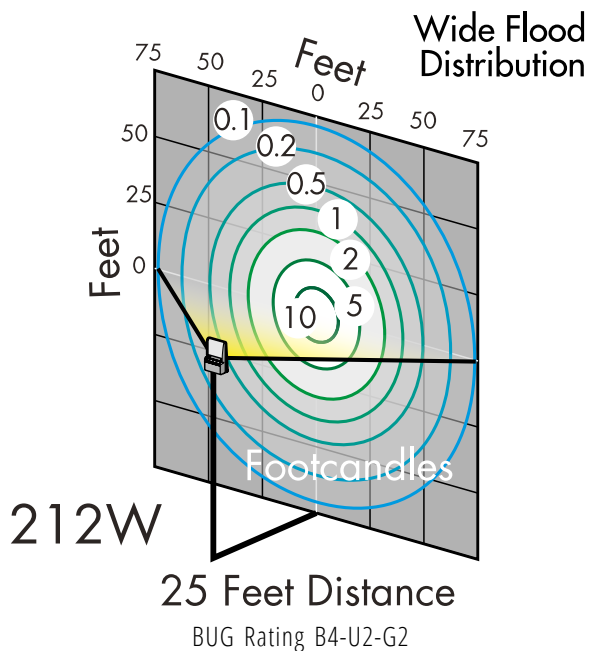
FL99436



FL25107



FL22402



FL26815

(800) 451-2606  
 Fax: (800) 451-2605  
 2451 Enterprise Parkway East  
 Twinsburg, Ohio 44087 USA  
 E-mail: [Venture\\_Lighting@VentureLighting.com](mailto:Venture_Lighting@VentureLighting.com)  
[VentureLighting.com](http://VentureLighting.com)

