



# 28W 5K Dome Top Bollard

Order Code: BL75142



## Description

Venture Lighting's LED Bollard makes it an ideal choice for size commercial, architectural, retail and residential applications. Fixtures can be used in wet locations. They are designed to provide low-level pedestrian lighting to draw attention to entryways and to act as guides along walkways for such applications as parking areas, building entrances, and university campus lighting.

## Construction

The fixture is bronze powder coated for superior corrosion resistance. These versatile, outdoor fixtures have clear PC lens, fully gasketed housings and a highly reflective cone shaped reflector. The base is cast aluminum and the housing is a seamless extruded aluminum.

## Electrical

Fixtures are provided with 120-277V 50/60 Hz drivers with 0-10V DC dimming as a standard. 10kA surge protection is a standard.

## Mounting

Each fixture is supplied with mounting kit which includes anchor bolt template, anchor bolts and necessary stainless steel fasteners to make installation quick and easy.

DLC Model# BL1-30CA

## Product Performance

Wattage	28W
Lumen Output	3180
Correlated Color Temperature (CCT)	5000K
Color Rendering Index (CRI)	70+
Life Hours	50000
Replaces HID Wattage	175W
Beam Angle (°)	Cone/140°
Operating Temperature Range	-40°F to 104°F (-40°C to 40°C)

## Physical Characteristics

Bollard Top	Dome
Diameter B	7.09"
Fixture Color	Bronze
Height	43.0"

## Electrical Characteristics

Amperage Draw (Input Volts/Amps)	120/0.25 208/0.15 240/0.13 277/0.11
----------------------------------	-------------------------------------

## Regulatory Qualifications

cULus Listed

Suitable for wet locations; IP65

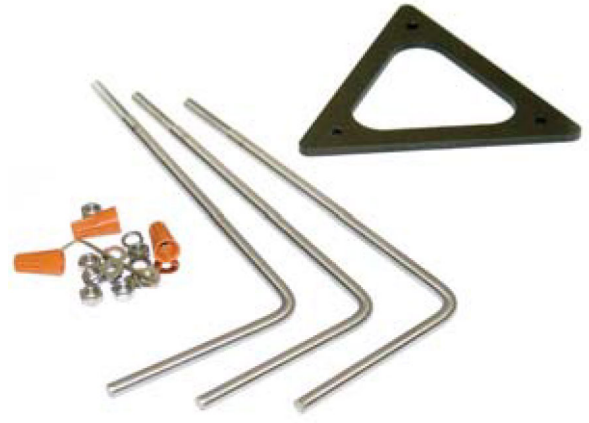
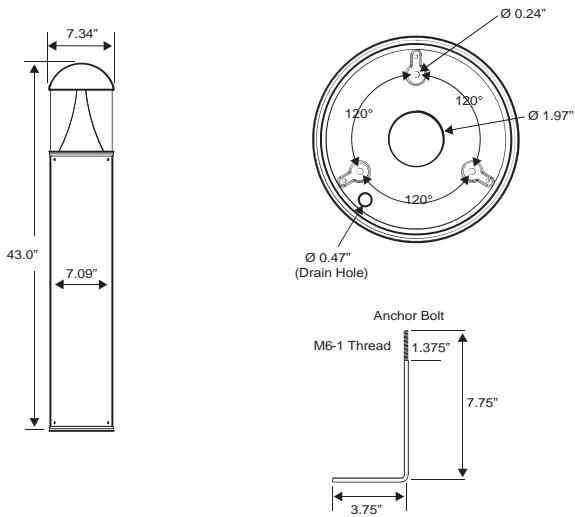
DLC Model: BL1-30CA

## Accessories

AC17738 - Backlight Shield

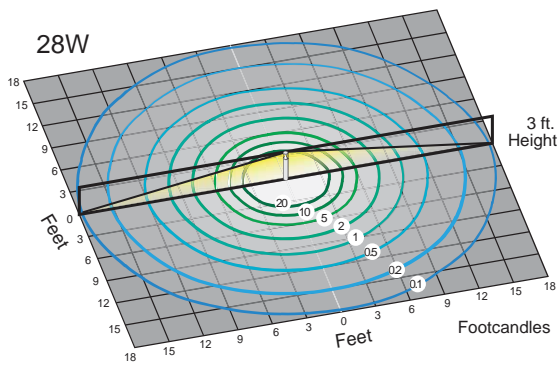


# Venture 28W 5K Dome Top Bollard



Mounting kit, included contains anchor bolts and mounting template

B-U-G rating is (B1-U3-G1)



(800) 451-2606  
 Fax: (800) 451-2605  
 2451 Enterprise Parkway East  
 Twinsburg, Ohio 44087 USA  
 E-mail: [Venture\\_Lighting@VentureLighting.com](mailto:Venture_Lighting@VentureLighting.com)  
[VentureLighting.com](http://VentureLighting.com)

