



40W LED Panel (2x2), 4000K

Order Code: PN54241

DLC Model# PD22-40N-BNR-X00



Description

The Venture Lighting LED panel series of luminaires are low profile, lightweight, and designed for long life and low maintenance. These are designed to quickly and easily upgrade existing fluorescent fixtures. LED color consistency meets a 4-step MacAdam ellipse.

Construction

The high performance LED source is mounted to ensure proper thermal management of the system. The design allows for a cooler running LED chip which leads to longer lifetime, better efficacy, and color consistency.

Optics

The fixtures are designed to have low glare yet utilize high performance materials to maximize efficacy and achieve precise photometric distributions.

Electrical

The power supply has a range of 200-347V, 50/60 Hz. 0-10V DC dimming capability is standard. The fixture is rated for damp and dry locations. Fixtures are IC-rated.

Mounting

The fixture is designed for replacing fluorescent fixtures.

Product Performance

Wattage	40W
Lumen Output	4460
Correlated Color Temperature (CCT)	4000K
Color Rendering Index (CRI)	80
Life Hours	50000
Operating Temperature Range	-13°F to 113°F (-25°C to 45°C)

Physical Characteristics

Fixture Color	White
Weight	10.6 lbs
Width	23.7"
Length	23.7"
Height	1.9"
Panel Size	2x2

Electrical Characteristics

Amperage Draw (Input Volts/Amps)	208/0.21 347/0.13
----------------------------------	-------------------

Regulatory Qualifications

cULus Listed
Model# PD22-40N-BNR-X00
IC-rated

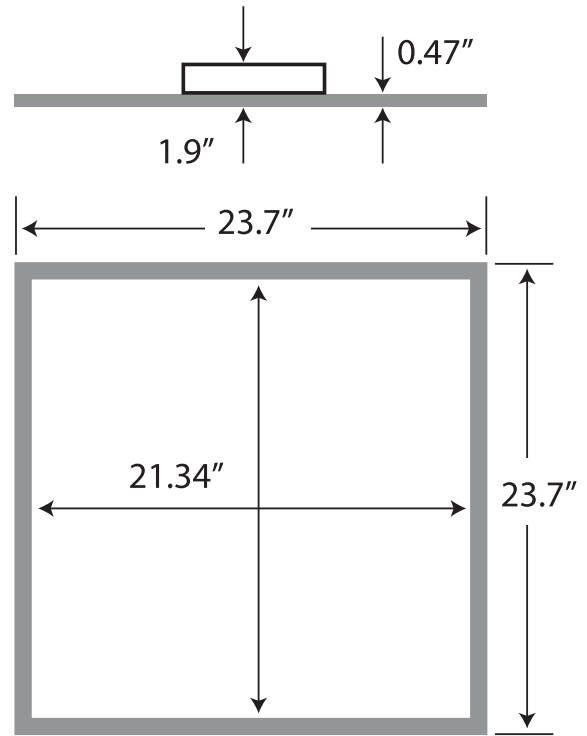
Accessories

KT14156 2X2 SURFACE MOUNT KIT, WHITE
KT18101 2x2 DRYWALL MOUNT KIT, WHITE
AC25420 - 3/8" 3-WIRE 14/3 600V MAX 6FT FLEX. WHIP
Add suffix "-WP" to order code for a factory installed fixture with a 6ft whip (Part # AC25420)



Venture 40W LED Panel (2x2), 4000K

40W 2x2 LED Panel



(800) 451-2606
Fax: (800) 451-2605
2451 Enterprise Parkway East
Twinsburg, Ohio 44087 USA
E-mail: Venture_Lighting@VentureLighting.com
VentureLighting.com

