

DLC® Model# TB24-50BA-01

### Product Performance

Wattage	48W
Lumens	5730
Correlated Color Temperature (CCT)	3500K
Color Rendering Index (CRI)	80
Life Hours	50000
Replaces Fluorescent Troffer	2x4
Operating Temperature Range	-13°F to 113°F (-25°C to 45°C)

### Physical Characteristics

Fixture Color	White
Length	47.7"
Weight	13.1 lbs
Width	23.7"
Height	3.7"

### Electrical Characteristics

Amperage Draw (Input Volts/Amps)	120/0.41 208/0.25 240/0.22 277/0.20
----------------------------------	-------------------------------------

### Regulatory Qualifications

cULus Listed, IC-Rated, Rated for dry and damp locations

DLC Model# TB24-50BA-01

### Accessories

BB24624 – LED Fixture Battery Back-up

For a factory installed Battery Backup add "-EM" after order code (Lumens: 2740) - Temp Range: (0-50°C)†

LN17615 Replacement lens 2x4 Volumetric troffer

AC25420 - 3/8" 3-WIRE 14/3 600V MAX 6FT FLEX. WHIP

Add suffix "-WP" to order code for a factory installed fixture with a 6ft whip (Part # AC25420)

Add suffix "-PP" to order code for a factory installed fixture with PowPack.

†Operating temperature range for Battery Backup



### Description

Venture Lighting's LED Volumetric troffers are durable, long lasting, high quality, low maintenance lighting fixtures. Each are designed to be quick and easy upgrades to existing fluorescent fixtures.

### Construction

The housing unit is constructed from heavy-duty aluminum. Fixtures are finished with a durable white polyester powder coating.

### Electrical

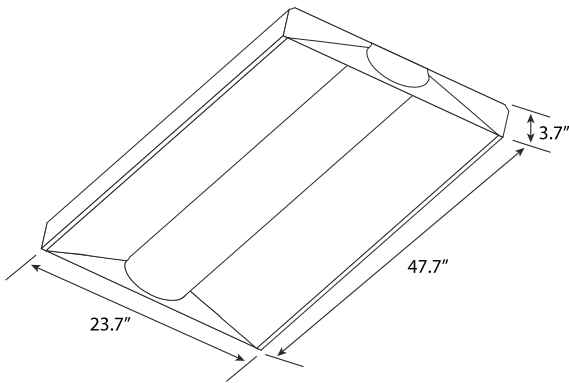
The power supply has a range of 120-277V, 50/60 Hz. 0-10V dimming is standard. Rated for dry and damp locations.

### Mounting

The fixture is designed for replacing fluorescent fixtures in T-grid drop ceiling applications.



# Venture 2x4 Volumetric Troffer



(800) 451-2606  
Fax: (800) 451-2605  
7905 Cochran Rd, Suite 300  
Glenwillow, Ohio 44139  
E-mail: [Venture\\_Lighting@VentureLighting.com](mailto:Venture_Lighting@VentureLighting.com)  
[VentureLighting.com](http://VentureLighting.com)

