

DLC® Model# OR-040AA-[E39 EX39]-4K



Description

Venture Lighting's LED Retrofit lamps are the ideal upgrade solution to traditional HID lamp technologies. Venture's LED Retrofit lamps are a simple energy saving solution for providing significant maintenance savings. The integrated driver design is an ideal upgrade from traditional technologies.

Features & Benefits

- Energy saving replacement for MH or HPS
- Up to 5 times longer life and 80% energy savings compared to HID
- 5 year warranty
- Universal burn position
- Easy installation
- Reduced maintenance costs

Applications

- Lowbay
- Canopy
- Garage
- General Illumination

Notes

The use of an external surge protection device is recommended. Operating temperature range between -4°F and 122°F (-20°C and 50°C). Suitable for use in portable luminaires, surface mounted and ceiling luminaires.

Suitable for use in open or enclosed luminaires with a minimum lamp compartment dimensions of 8 inch diameter x 11 inch long.

Do not use where exposed to water or outdoors without an appropriate enclosed luminaire.

Product Performance

Input Power (W)	40
Bare Lamp Lumens	4800
DLC Rated Lumens	4240
Lumens/Watt (Bare Lamp)	120
Correlated Color Temperature (CCT)	4000K
Color Rendering Index (CRI)	80
Life Hours	50000
Dimming	No
Operating Temperature Range	-4°F to 122°F (-20°C to 50°C)

Physical Characteristics

Base Type	Mogul, (EX39)
Overall Length A	6.01" (153mm)
Diameter B	5.2" (131mm)
Weight	2.06 lbs (933g)

Electrical Characteristics

Input Voltage Range	100V-277V; 50/60Hz
Driver	Internal within lamp
Power Factor	>0.90
THD	<20%

Regulatory Qualifications

cULus Listed

cULus Classified (UL 1598C)

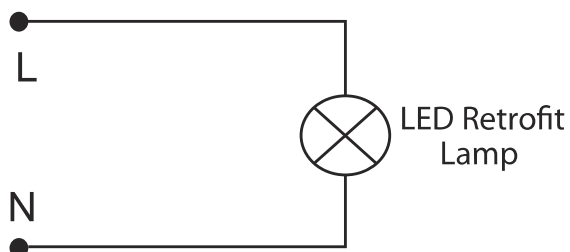
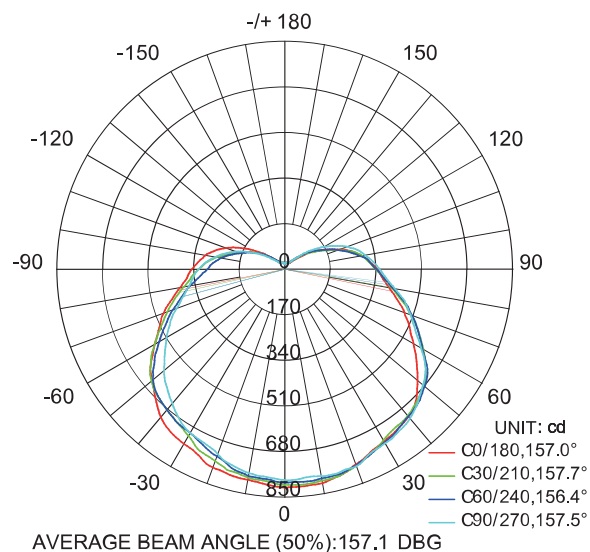
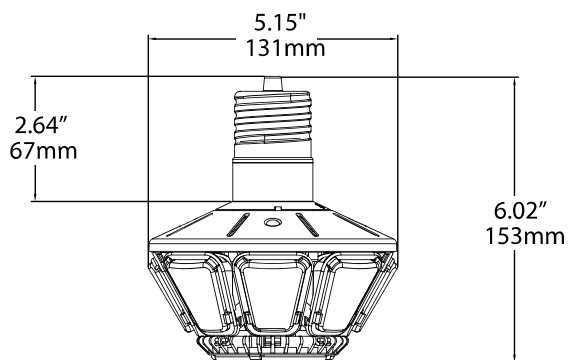
DLC® Qualified - Model #OR-040AA-[E39 EX39]-4K

Accessories

BSP3-277-LC Surge Protector



Venture 40W LED Retrofit Lamp



Easy to install - bypass ballast and provide voltage directly to lamp

(800) 451-2606
Fax: (800) 451-2605
7905 Cochran Rd, Suite 300
Glenwillow, Ohio 44139
E-mail: Venture_Lighting@VentureLighting.com
VentureLighting.com

