

Model# HB1-100WC11A1BUP



Description

Venture Lighting's highbays are low profile, light weight, and designed for long life with low maintenance and great performance. These LED luminaires are designed to quickly and easily upgrade existing HID and fluorescent fixtures.

Construction

The high performance LED source is mounted to an aluminum heat sink which is designed to ensure proper thermal management of the system. This design allows for a cooler running LED chip which leads to longer lifetime, better efficacy, and color consistency. Fixtures are rated for an ambient operating temperature range -22°F to 104°F (-30°C to 40°C).

Optics

The units are equipped with a 120 degree beam spread for higher mounting heights and are also field adjustable with an accessory lens.

Electrical

The power supply has a range of 120-277V, 50/60 Hz. 0-10V DC dimming capability is standard. Fixtures are IP65 rated, suitable for wet locations.

Product Performance

Wattage	100W
Lumens	14120
Correlated Color Temperature (CCT)	5000K
Color Rendering Index (CRI)	80
Life Hours	50,000
Replaces HID Wattage	250W
Beam Angle (°)	120°
Operating Temperature Range	-22°F to 104°F (-30°C to 40°C)

Physical Characteristics

Diameter	10.25"
Safety Cable Length	3ft.
Input Cable Length	1ft.
Fixture Color	Black
Weight	8.2 lbs
Height	9.0"

Electrical Characteristics

Amperage Draw (Input Volts/Amps)	120/0.9 208/0.44 240/0.39 277/0.34
----------------------------------	------------------------------------

Regulatory Qualifications

cULus Listed, IP65

Model# HB1-100WC11A1BUP

Accessories

KT18215 - Adjustable U-Bracket for 150W-300W

AC62148 - Pendant Mount Kit (Black) for ¾" NPT

LN11476 - 120° Clear Tempered Glass Lens for 100W VSolutions HB

LN14399 - 120° Frosted Tempered Glass Lens for 100W VSolutions HB

LN17698 - 120° Clear Polycarbonate Lens for 100W VSolutions HB

LN19016 - 60° Polycarbonate Lens for 100W VSolutions HB

RF55800 - 16" Dia. Polycarbonate Reflector for 100W and 300W VSolutions HB

RF50402 - 16" Dia. Aluminum Reflector (90°) for 100W and 300W VSolutions HB

KT12089 - Motion/Dim/Photocell Sensor Mount Kit

For factory installed plug options see next page

RF19927 - 16" Clear Acrylic Reflector for 100W and 300W VSolutions HB

RF19935 - 16" Diffuse Acrylic Reflector for 100W and 300W VSolutions HB

LN28315 - 16" Clear Acrylic Drop Lens for 100W and 300W VSolutions HB

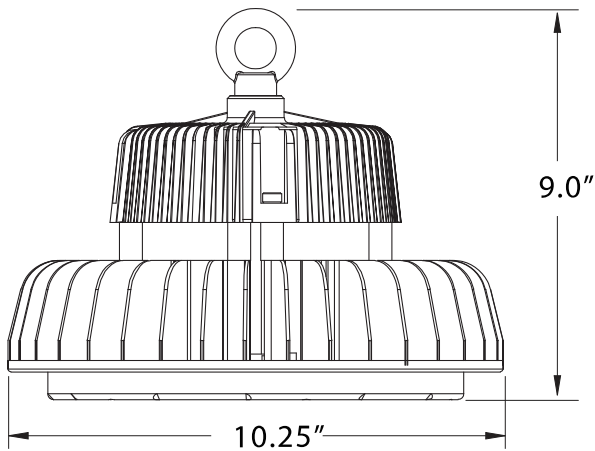
LN28325 - 16" Diffuse Acrylic Drop Lens for 100W and 300W VSolutions HB

RF63661 - 16" Diameter SS Lens Band

Add suffix "-S4" to order code for factory installed fixture with a MOTION/DIM/PHOTOCELL Sensor Mount Kit (Part# KT12089)



Venture 100W VSolution LED Highbay



NEMA L8-20P

Plug Options*	Molded Plug Options with 11ft Cable*
"-P4" – NEMA L8-20P for 480V	"-P9C" – NEMA L8-20P for 480V w/cable

NOTE: * Add Suffix to Part# for Factory Installed option

Factory installed plug options



(800) 451-2606
 Fax: (800) 451-2605
 7905 Cochran Rd, Suite 300
 Glenwillow, Ohio 44139
 E-mail: Venture_Lighting@VentureLighting.com
VentureLighting.com

