

DLC® Model# HBL3-220CADC



Shown with factory installed Bluetooth PIR Sensor

### Description

Venture Lighting's new Linear High Bay series offers a cost-effective and high-quality lighting solution which is ideal for a wide variety of lighting applications such as: distribution centers, retail or big box spaces, warehouses/manufacturing facilities, schools with multiple purpose gymnasiums and other industrial applications. Robust construction and fully dimmable, it delivers exceptional DLC premium performance by balancing high lumen output and wattage savings making it a perfect replace both traditional fluorescent and HID high bay fixtures. Flexible product series with motion sensor, emergency battery pack, flexible conduit, wire-guards and a range of mounting options from cable, pendant and surface mounting making it suitable for virtually any lighting requirement.

### Construction

The housing is constructed from cold rolled steel to provide rigidity and strength. Each housing is finished with a white polyester powder coat. Each fixture is supplied with a pair of V-Hooks and 2 pcs of 1 meter long chain

### Optics

Available in clear polycarbonate lens version for increased output or frosted lens version for providing diffused light distribution.

### Electrical

The power supply has a range of 120-277V, 50/60 Hz. 0-10V DC dimming capability is standard. The luminaire is rated for damp and dry locations.

### Warranty

5 year limited warranty

### Product Performance

Wattage	223W
Lumens	30110
Lumens per Watt	137
Correlated Color Temperature (CCT)	5000K
Battery Backup Mode Lumens	3360
Color Rendering Index (CRI)	80
Life Hours	50,000
Operating Temperature Range	-22°F to 113°F (-30°C to 45°C)
Replace Existing Luminaire	Up to 1000W HID

### Physical Characteristics

Lens Type	Clear
Fixture Color	White Polyester Powder Coat
Length	23.8"
Weight	13.5 lbs (6.1 kg)
Width	17.3"
Height	3.6"

### Electrical Characteristics

Amperage Draw (Input Volts/Amps)	120/1.90 277/0.80
----------------------------------	-------------------

### Regulatory Qualifications

cULus Listed; Dry and damp rated
Model# HBL3-220CADC

### Accessories

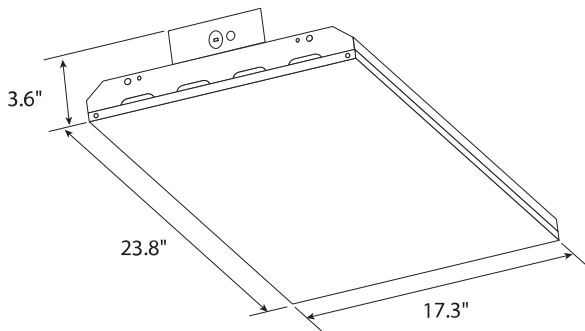
AC24512 - 1 meter chain with S-hooks (2pcs) (replacement)
PH41623 - Dry/damp rated motion/on-off sensor only
PH77409 - Dry/damp rated motion/on-off/photocell/dimming sensor
KT37505 - Pendant mount kit with hardware (white)
KT31549 - Bluetooth PIR Sensor (white)
LN31115 - Clear Lens for field replacement
LN31120 - Frosted Lens for field replacement
KT37308 - Surface mount kit (white)
KT42520 - Wire guard kit with hardware
AC35213 - V-Hook (2 pcs set - replacement)

### Factory Installed Accessories

Add suffix "-S1" for a MOTION ONLY Sensor; Part # PH41623
Add suffix "-S2" for a MOTION/DIM/PHOTOCELL Sensor; Part # PH77409
Add suffix "-S5" for a Bluetooth PIR Sensor; Part # KT31549
Add suffix "-EM" for a 17W battery back-up



# Venture 223W LED Linear Highbay



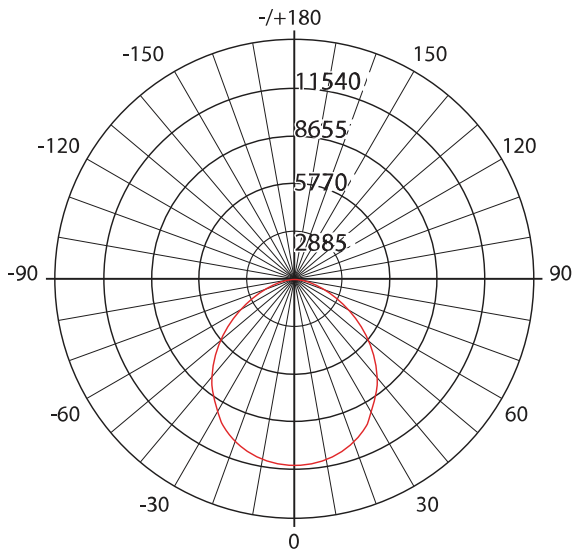
Factory installed plug and cable options:



NEMA L5-15P NEMA L6-15P NEMA L7-15P NEMA L18-20P

- Add suffix "-P6-C" for 120V NEMA L5-15P molded plug with 11ft cable
- Add suffix "-P10-C" for 208V NEMA L18-20P molded plug with 11ft cable
- Add suffix "-P7-C" for 240V NEMA L6-15P molded plug with 11ft cable
- Add suffix "-P8-C" for 277V NEMA L7-15P molded plug with 11ft cable

## Luminous Intensity Distribution Diagram



(800) 451-2606  
Fax: (800) 451-2605  
7905 Cochran Rd, Suite 300  
Glenwillow, Ohio 44139  
E-mail: [Venture\\_Lighting@VentureLighting.com](mailto:Venture_Lighting@VentureLighting.com)  
[VentureLighting.com](http://VentureLighting.com)

