

Model# HW1-150C-BB



Description

Venture Lighting's VSplash LED highbay is NSF Certified and uniquely designed for food processing applications yet maintains a high lumen efficacy. They are designed to quickly and easily upgrade existing H.I.D and fluorescent fixtures.

Construction

The smooth shape eliminates exposed hardware as well as prevents dust and moisture from collecting, enhancing the safety for food processing applications. The die-cast aluminum body ensures heat dissipation providing cool running operation. The fixture is IP69K rated which ensures the fixture is dust tight and also able to withstand cleaning by high pressure water jets. The IP69K rating makes cleaning worry free for NSF applications. Fixtures have a durable and corrosion-resistant powder coat finish.

Optics

The 150W units are equipped with a 90 degree beam polycarbonate lens for higher mounting heights and are also field adjustable with an accessory lens.

Electrical

The power supply has a range of 277-480V, 50/60 Hz. The luminaire is IP69K rated.

Product Performance

Wattage	150W
Lumens	21200
Correlated Color Temperature (CCT)	5000K
Color Rendering Index (CRI)	80
Lumen Maintenance @50,000 hours*	93%
Calculated L70 @ 25°C Ambient in Hours*	230,000
Replaces HID Wattage	400W
Beam Angle (°)	90
Dimming	No
Operating Temperature Range	-40°F to 122°F (-40°C to 50°C)

Physical Characteristics

Diameter	19.25"
Input Cable Length	5ft.
Safety Cable Length	3ft.
Fixture Color	Gray
Height	7.875"
Weight	14.8 lbs

Electrical Characteristics

Amperage Draw (Input Volts/Amps)	0.54/277 0.45/347 0.33/480
Surge Protection	4kV

Regulatory Qualifications

UL Listed

DLC Premium Qualified - Model# HW1-150C-BB

NSF Certified - Model# HW1-150

Wet Rated IP69K Rated

Accessories

AC78126 - Pendant Mount Kit - Wire Outside

LN13632 - 120 Degree Polycarbonate Flat Lens for 100W to 300W Highbay

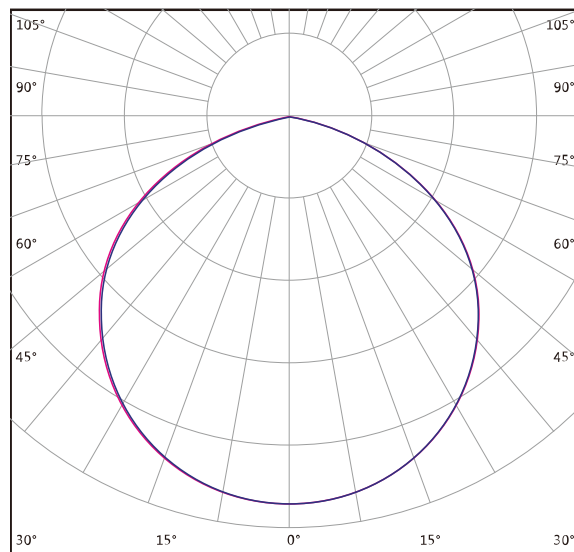
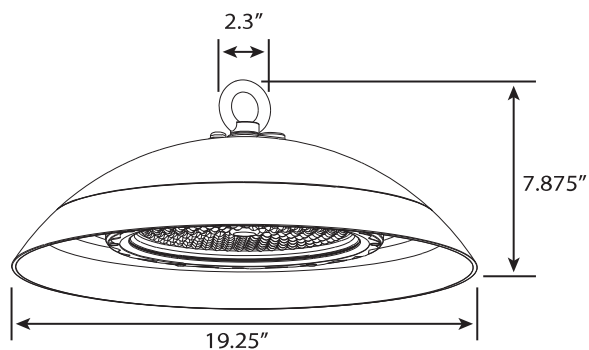
LN28431 - 50 Degree Polycarbonate Lens for 100W-200W Modern HB (except 200W High Temp.)

Notes:

*Lumen maintenance data is based on LED testing per IESNA LM-80 and projected per IESNA TM-21



Venture 150W VSplash LED Highbay Fixture



NEMA L5-15P NEMA L6-15P NEMA L7-15P

NSF-Certified Plug Options*

"-PN1"- NEMA L5-15P for 120V

"-PN2"- NEMA L6-15P for 240V

"-PN3"- NEMA L7-15P for 277V

NOTE: * Add Suffix to Part# for Factory Installed option

(800) 451-2606
Fax: (800) 451-2605
7905 Cochran Rd, Suite 300
Glenwillow, Ohio 44139
E-mail: Venture_Lighting@VentureLighting.com
VentureLighting.com

