

Model# HB1-150WC12B3BUS



Description

Venture Lighting's highbays are low profile, light weight, and designed for long life with low maintenance and great performance. These LED luminaires are designed to quickly and easily upgrade existing HID and fluorescent fixtures.

Construction

The high performance LED source is mounted to an aluminum heat sink which is designed to ensure proper thermal management of the system. This design allows for a cooler running LED chip which leads to longer lifetime, better efficacy, and color consistency. Fixtures are rated for an ambient operating temperature range -22°F to 104°F (-30°C to 40°C).

Optics

The units are equipped with a 90 degree beam spread for higher mounting heights and are also field adjustable with an accessory lens.

Electrical

The power supply has a range of 347-480V, 50/60 Hz. 0-10V DC dimming capability is standard. Fixtures are IP65 rated, suitable for wet locations.

Notes:

*Lumen maintenance data is based on LED testing per IESNA LM-80 and projected per IESNA TM-21

-Any DLC certification applies only to base fixture.

Product Performance

Wattage	150W
Lumens	21850
Correlated Color Temperature (CCT)	5000K
Color Rendering Index (CRI)	80
Lumen Maintenance @50,000 hours*	89%
Calculated L70 @ 25°C Ambient in Hours*	155,000
Replaces HID Wattage	400W
Beam Angle (°)	90°
Operating Temperature Range	-22°F to 104°F (-30°C to 40°C)

Physical Characteristics

Diameter	10.25"
Safety Cable Length	4ft.
Input Cable Length	1ft.
Fixture Color	Black
Weight	13.6 lbs
Height	9.0"

Electrical Characteristics

Amperage Draw (Input Volts/Amps)	347/0.44 480/0.32
----------------------------------	-------------------

Regulatory Qualifications

cULus Listed

Accessories

KT18215 - Adjustable U-Bracket for 150W-300W

AC62148 – Pendant Mount Kit

LN11476 - 120° Clear Tempered Glass Lens for 150W VSolutions HB

LN14399 - 120° Frosted Tempered Glass Lens for 150W VSolutions HB

LN17698 - 120° Clear Polycarbonate Lens for 150W VSolutions HB

LN19016 - 60° Polycarbonate Lens for 150W VSolutions HB

RF55800 - 16" Dia. Polycarbonate Reflector for 150W and 300W VSolutions HB

RF50402 - 16" Dia. Aluminum Reflector (90°) for 150W and 300W VSolutions HB

For factory installed plug options see next page

RF19927 - 16" Clear Acrylic Reflector for 150W and 300W VSolutions HB

RF19935 - 16" Diffuse Acrylic Reflector for 150W and 300W VSolutions HB

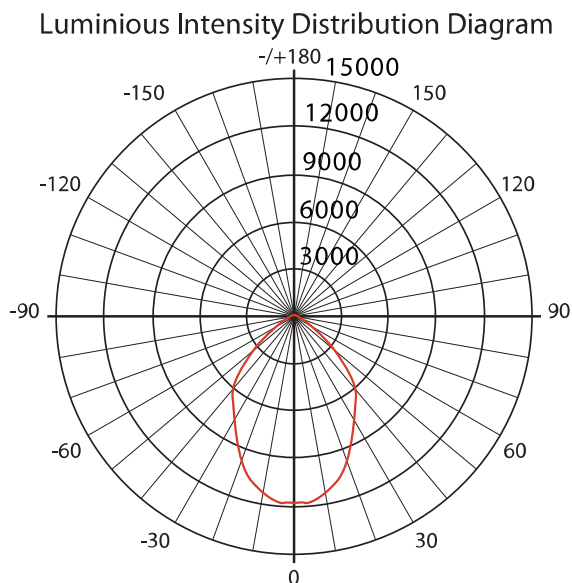
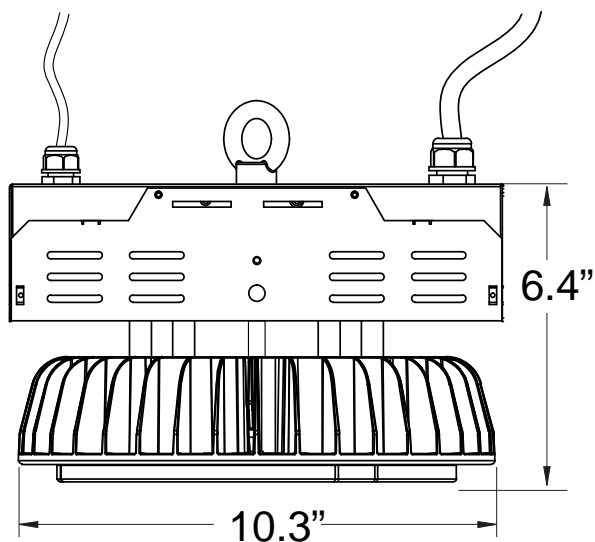
LN28315 - 16" Clear Acrylic Drop Lens for 150W and 300W VSolutions HB

LN28325 - 16" Diffuse Acrylic Drop Lens for 150W and 300W VSolutions HB

RF63661 - 16" Diameter SS Lens Band



Venture 150W VSolution LED Highbay



NEMA L24-20P NEMA L8-20P

Plug Options*	Molded Plug Options with 11ft Cable*
"-P4" – NEMA P8-20P for 480V	"-P9-C" – NEMA P8-20P for 480V w/ cable
"-P14" – NEMA P24-20P for 347V	"-P15-C" – NEMA P24-20P for 347V w/ cable

NOTE: * Add Suffix to Part# for Factory Installed option

Factory installed plug options

(800) 451-2606
 Fax: (800) 451-2605
 7905 Cochran Rd, Suite 300
 Glenwillow, Ohio 44139
 E-mail: Venture_Lighting@VentureLighting.com
VentureLighting.com

