



## Description

Venture Lighting's VSplash LED highbay is NSF Certified and uniquely designed for food processing applications yet maintains a high lumen efficacy. They are designed to quickly and easily upgrade existing H.I.D and fluorescent fixtures.

## Construction

The smooth shape eliminates exposed hardware as well as prevents dust and moisture from collecting, enhancing the safety for food processing applications. The die-cast aluminum body ensures heat dissipation providing cool running operation. The fixture is IP69K rated which ensures the fixture is dust tight and also able to withstand cleaning by high pressure water jets. The IP69K rating makes cleaning worry free for NSF applications. Fixtures have a durable and corrosion-resistant powder coat finish.

## Optics

The 150W units are equipped with a 90 degree beam polycarbonate lens for higher mounting heights and are also field adjustable with an accessory lens.

## Electrical

The power supply has a range of 120-277V, 50/60 Hz. The luminaire is IP69K rated.

## Model# HW1-150C-AB

### Product Performance

Wattage	150W
Lumens	21500
Correlated Color Temperature (CCT)	5000K
Color Rendering Index (CRI)	80
Lumen Maintenance @50,000 hours*	93%
Calculated L70 @ 25°C Ambient in Hours*	230,000
Replaces HID Wattage	400W
Beam Angle (°)	90
Dimming	No
Operating Temperature Range	-40°F to 122°F (-40°C to 50°C)

### Physical Characteristics

Diameter	19.25"
Input Cable Length	5ft.
Safety Cable Length	3ft.
Fixture Color	Gray
Height	7.875"
Weight	14.8 lbs

### Electrical Characteristics

Amperage Draw (Input Volts/Amps)	120/1.30 208/0.73 240/0.65 277/0.56
Surge Protection	4kV

### Regulatory Qualifications

UL Listed
DLC Premium Qualified - Model# HW1-150C-AB
NSF Certified - Model# HW1-150
Wet Rated IP69K Rated

### Accessories

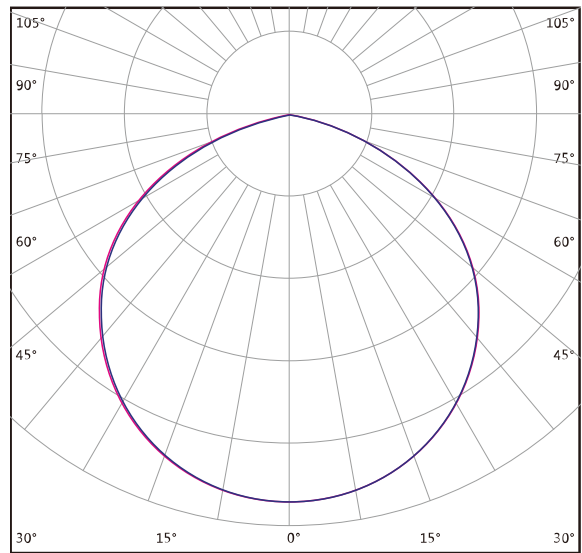
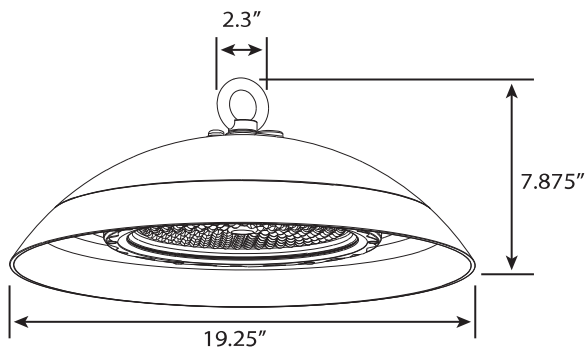
AC78126 - Pendant Mount Kit - Wire Outside
LN13632 - 120 Degree Polycarbonate Flat Lens for 100W to 300W Highbay
LN28431 - 50 Degree Polycarbonate Lens for 100W-200W Modern HB (except 200W High Temp.)
For factory installed plug options see below
For plug options see accessories tab (NOT FACTORY INSTALLED)

## Notes:

\*Lumen maintenance data is based on LED testing per IESNA LM-80 and projected per IESNA TM-21



# Venture 150W VSplash LED Highbay Fixture



NEMA L5-15P NEMA L6-15P NEMA L7-15P

## NSF-Certified Plug Options\*

"-PN1"- NEMA L5-15P for 120V

"-PN2"- NEMA L6-15P for 240V

"-PN3"- NEMA L7-15P for 277V

NOTE: \* Add Suffix to Part# for Factory Installed option

(800) 451-2606  
Fax: (800) 451-2605  
7905 Cochran Rd, Suite 300  
Glenwillow, Ohio 44139  
E-mail: [Venture\\_Lighting@VentureLighting.com](mailto:Venture_Lighting@VentureLighting.com)  
[VentureLighting.com](http://VentureLighting.com)

