


Description

VFLOOD is a low profile, lightweight LED Flood Light fixture, designed for long life and low maintenance. The fixtures are designed to quickly and easily upgrade existing flood fixtures. Twist lock photocell receptacle and shorting cap included with the fixture.

Construction

The housing unit is constructed from heavy-duty, die cast aluminum. Fixtures are finished with a durable bronze polyester powder coating. To ensure weather-tight protection and to keep out contaminants, each optical assembly is sealed with a silicone gasket. Each unit is rated for wet locations.

Electrical

The Class II power supply has a range of 347-480V, 50/60 Hz. 0-10V dimming capability is standard.

Mounting

Fixtures can be mounted by a 6" straight arm extension, a slipfitter mount that fits onto a 2-3/8" tenon, or a yoke mount. Not included with fixture. Order separately.

DLC® Model# FA-120W5B
Product Performance

Wattage	121W
Lumens	13440
Correlated Color Temperature (CCT)	3000K
Color Rendering Index (CRI)	80
Lumen Maintenance @50,000 hours*	93%
Calculated L70 @ 25°C Ambient in Hours*	268,000
Replaces HID Wattage	400W
Operating Temperature Range	-40°F to 104°F (-40°C to 40°C)

Physical Characteristics

Fixture Color	Bronze
Length	15"
Weight	13.1 lbs
EPA	0.32
Width	10.63"
Height	5.5"

Electrical Characteristics

Amperage Draw (Input Volts/Amps)	347/0.36 480/0.27
Surge Protection	10kA

Regulatory Qualifications

cULus Listed

DLC® Qualified - Model# FA-120W5B

Rated for wet locations

Mounting Accessories

FL64171 U-Bracket for 121W LED VFlood

FL22402 6" Straight Arm, Square Pole - Brz

FL25107 Adjustable Slipfitter for LED VFloods

FL26815 6" straight arm, 4" round pole, BRZ

Photocell Accessories

PH81156 Twist lock 480V input photocell

PH87145 Twist lock 347V input photocell

Wireless Control Accessories

WCN-7P-UNV Synapse® Twist lock controller

WCG-450 Synapse® Gateway

Miscellaneous Accessories

PH81975 Twist lock shorting cap

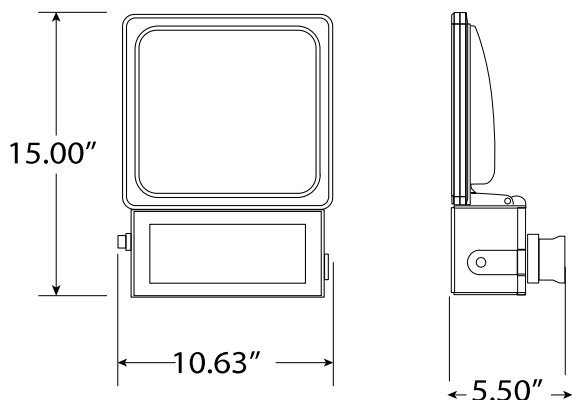
SP12826 - 347-480V Surge Protector

Notes:

*Lumen maintenance data is based on LED testing per IESNA LM-80 and projected per IESNA TM-21



Venture VFLOOD - 121W LED Flood Light



121W VFlood Mounting Accessories			
Part #	Description	Weight (lbs)	Accessory EPA
FL64171	U-Bracket for 121W Flood	1.3	0.08
FL22402	6" straight arm for square pole	1.3	0.13
FL26815	6" straight arm, 4" dia/ round pole	1.3	0.13
FL25107	Slipfitter fits into 2-3/8" mast arm (tenon)	3.3	0.19



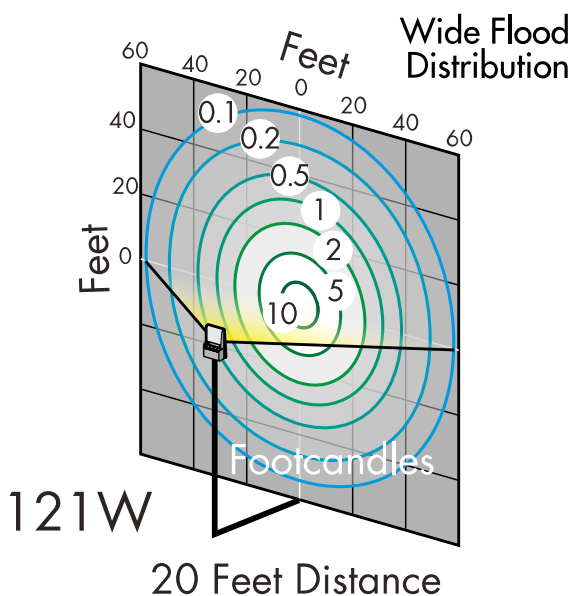
FL64171



FL22402



FL25107



FL26815

(800) 451-2606
 Fax: (800) 451-2605
 7905 Cochran Rd, Suite 300
 Glenwillow, Ohio 44139
 E-mail: Venture_Lighting@VentureLighting.com
VentureLighting.com

