


**Description**

VFLOOD is a low profile, lightweight LED Flood Light fixture, designed for long life and low maintenance. The fixtures are designed to quickly and easily upgrade existing flood fixtures. Twist lock photocell receptacle and shorting cap included with the fixture.

**Construction**

The housing unit is constructed from heavy-duty, die cast aluminum. Fixtures are finished with a durable bronze polyester powder coating. To ensure weather-tight protection and to keep out contaminants, each optical assembly is sealed with a silicone gasket. Each unit is rated for wet locations.

**Electrical**

The Class II power supply has a range of 120-277V, 50/60 Hz. 0-10V dimming capability is standard.

**Mounting**

Fixtures can be mounted by a 6" straight arm extension, a slipfitter mount that fits onto a 2-3/8" tenon, or a yoke mount. Not included with fixture. Order separately.

**DLC® Model# FA-212N5A**
**Product Performance**

Wattage	212W
Lumens	23640
Correlated Color Temperature (CCT)	4000K
Color Rendering Index (CRI)	80
Lumen Maintenance @50,000 hours*	93%
Calculated L70 @ 25°C Ambient in Hours*	258,000
Replaces HID Wattage	1000W
Operating Temperature Range	-40°F to 104°F (-40°C to 40°C)

**Physical Characteristics**

Fixture Color	Bronze
Length	19.25"
Weight	21.8 lbs
EPA	0.51
Width	13.25"
Height	6.25"

**Electrical Characteristics**

Amperage Draw (Input Volts/Amps)	120/1.78 208/1.10 240/0.90 277/0.78
Surge Protection	10kA

**Regulatory Qualifications**

cULus Listed

DLC® Qualified - Model# FA-212N5A

Rated for wet locations

**Mounting Accessories**

FL99436 U-Bracket for 212W LED VFlood

FL22402 6" Straight Arm, Square Pole - Brz

FL25107 Adjustable Slipfitter for LED VFloods

FL26815 6" STRAIGHT ARM, 4" DIA ROUND POLE, BRZ

**Photocell Accessories**

PH12415 Twist lock photocell

**Wireless Control Accessories**

WCN-7P-UNV Synapse® Twist lock controller

WCG-450 Synapse® Gateway

**Miscellaneous Accessories**

PH81975 Twist lock shorting cap

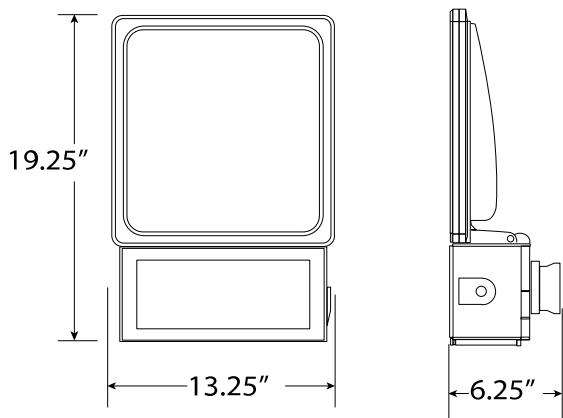
SP12714 - 120-277V Surge Protector

**Notes:**

\*Lumen maintenance data is based on LED testing per IESNA LM-80 and projected per IESNA TM-21



# Venture VFLOOD - 212W LED Flood Light



212W VFlood Mounting Accessories			
Part #	Description	Weight (lbs)	Accessory EPA
FL99436	U-Bracket for 212W Flood	1.6	0.11
FL22402	6" straight arm for square pole	1.3	0.13
FL26815	6" straight arm, 4" dia/ round pole	1.3	0.13
FL25107	Slipfitter fits into 2-3/8" mast arm (tenon)	3.3	0.19



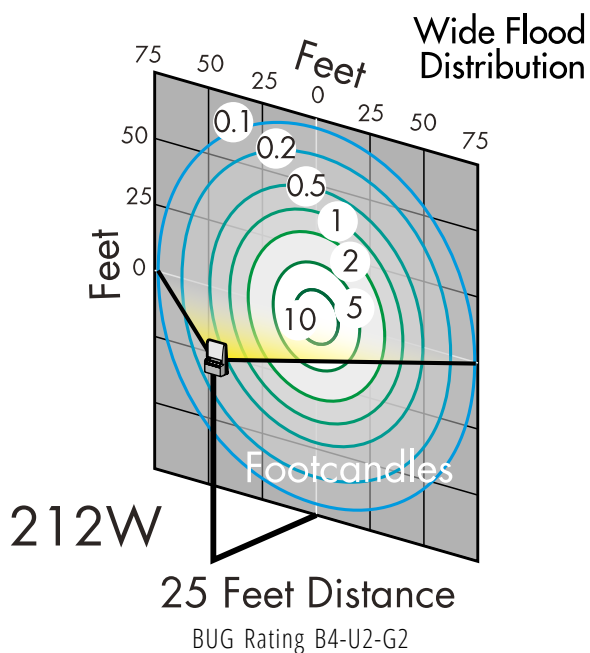
FL99436



FL25107



FL22402



FL26815

(800) 451-2606  
 Fax: (800) 451-2605  
 7905 Cochran Rd, Suite 300  
 Glenwillow, Ohio 44139  
 E-mail: [Venture\\_Lighting@VentureLighting.com](mailto:Venture_Lighting@VentureLighting.com)  
[VentureLighting.com](http://VentureLighting.com)

