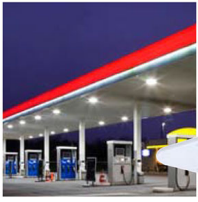


Model# CPT-150SAF-WH50



Description

The Venture Lighting LED Gas Station canopy is a surface mount luminaire with a low profile, lightweight design featuring long life and low maintenance. These IP65 rated fixtures are designed for easy replacement of existing gas station canopy fixtures.

Construction

The housing unit is constructed from heavy-duty aluminum. Fixtures are finished with a durable white polyester powder coating. To ensure weather-tight protection, each optical assembly is sealed with a silicone gasket.

Electrical

The power supply has a range of 120-277V, 50/60 Hz.

Mounting

The fixture is designed for surface mounting.

Warranty

For warranty information refer to:

<https://www.venturelighting.com/resources/warranties/>

Product Performance

| | |
|---|-------------------------------|
| Wattage | 150W |
| Lumens | 21029 |
| Correlated Color Temperature (CCT) | 5000K |
| Color Rendering Index (CRI) | ≥80 |
| Lumen Maintenance @50,000 hours* | 90% |
| Calculated L70 @ 25°C Ambient in Hours* | 174,000 |
| Dimming | No |
| Operating Temperature Range | 40°F to 104°F (-40°C to 40°C) |

Physical Characteristics

| | |
|---------------|-----------------|
| Fixture Color | White |
| Length | 20.47" (520mm) |
| Width | 20.47" (520mm) |
| Height | 9.65" (245mm) |
| Weight | 17 lbs (7.7 KG) |

Electrical Characteristics

| | |
|----------------------------------|-------------------------------------|
| Input Voltage Range | 120-277V, 50/60 Hz, 1.3A max |
| Amperage Draw (Input Volts/Amps) | 120/1.30 208/0.75 240/0.65 277/0.56 |
| Power Factor | ≥90% |
| THD | ≤20% |

Regulatory Qualifications

UL Listed

DLC® Premium Qualified

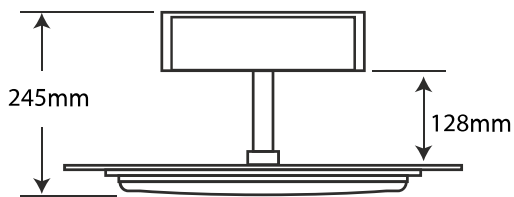
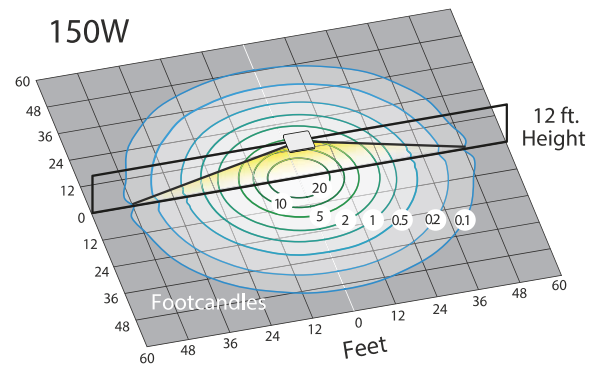
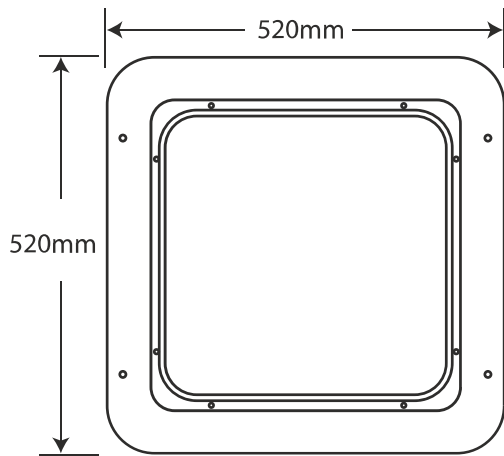
IP65 Rated for Wet Locations

Notes:

*Lumen maintenance data is based on LED testing per IESNA LM-80 and projected per IESNA TM-21



Venture 150W LED Gas Station Canopy



(800) 451-2606
Fax: (800) 451-2605
7905 Cochran Rd, Suite 300
Glenwillow, Ohio 44139
E-mail: Venture_Lighting@VentureLighting.com
VentureLighting.com

