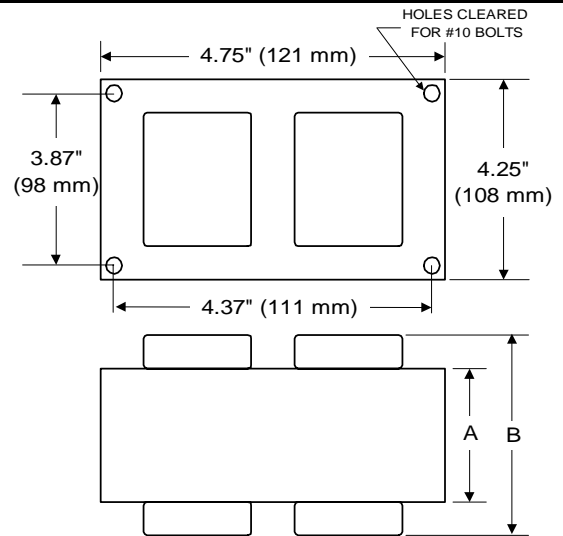


400W M59
Metal Halide
V90Z6450T
60 Hz CWI

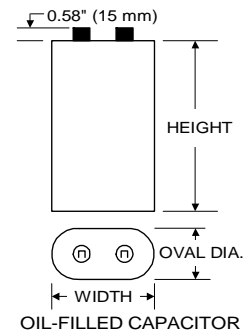
Input Volts	600			
Line Current (Amps)				
Operating	0.70			
Open Circuit	0.65			
Starting	0.30			
Regulation				
Line Volts	±10%			
Lamp Watts	±5%			
UL Temperature Ratings				
Insulation Class	H			
Coil Temperature Code	C			
Benchtop Coil Rise				
Input Watts	475 W			
NOM. Open Circuit Voltage	295			
Power Factor	90%			
Current Crest Factor	1.55			
Input Voltage At Lamp Dropout	315			
MIN. Ambient Starting Temp.	-20°F -30°C			
60 HZ TEST PROCEDURES				
High Potential Test (Volts)				
1 Minute	2,000 V			
1 Second	2,500 V			
Open Circuit Voltage Test (V)	270 - 325			
Short Circuit Current Test (A)				
Secondary Current	Min 3.55			
	Max 4.30			
Input Current	Min 0.15			
	Max 0.25			
Recommended Fuse (Amps)	2			
CORE and COIL Specifications				
Dimension (A)	3.50 in			
Dimension (B)	5.50 in			
Weight (lbs.)	21.0 lb's			
Lead Lengths	12"			
CAPACITOR Specifications				
Microfarads	19.5 uf			
Volts (min.)	520 V			

4X4 CORE - HX, CWA & CWI UNITS



Capacitor:	ACB228OV	Ignitor:	None
------------	----------	----------	------

Value: 19.5 uf
Temp Rating 100 °C
Height: 4.37 in
Dia/Oval Dim 1.97 in



This Ballast Does Not Require An Ignitor

Ordering Information Add Suffix for options

- C - With Capacitor
- K - With Capacitor and Bracket Kit
- B - With Welded Bracket no cap

Data is based upon tests performed by Venture Lighting in a controlled environment and is representative of relative performance. Actual performance can vary depending on operating conditions. Specifications are subject to change without notice

