

BALLAST SPECIFICATION

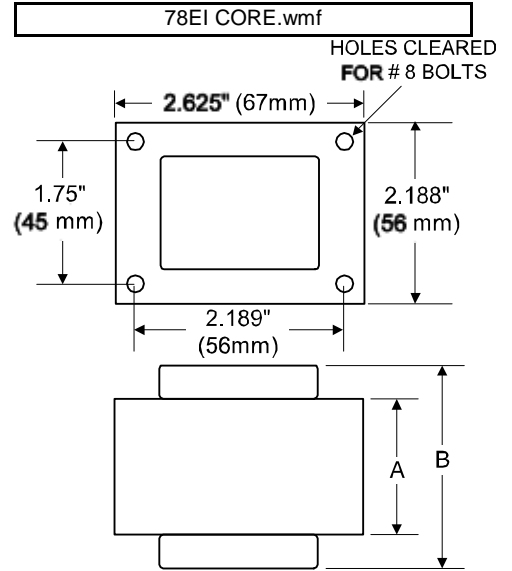
125W M150

Pulse Start Metal Halide

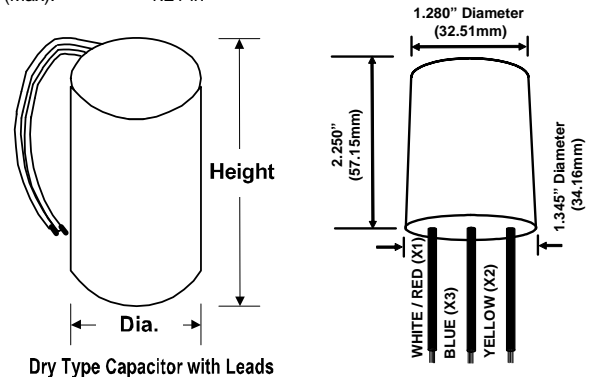
V90U8820

60 Hz Reactor

Input Volts	277			
Line Current (Amps)				
Operating	0.55			
Open Circuit	0.80			
Starting	0.70			
Recommended Fuse (Amps)	3			
Regulation				
Line Volts	±5%			
Lamp Watts	±9%			
Temperature Ratings				
Insulation Class	180 (H)			
Coil Temperature Code	A			
Benchtop Coil Rise	74.3			
Power Factor (Min)	90%			
Input Watts	140 W			
Efficiency	89%			
NOM. Open Circuit Voltage	277			
Input Voltage At Lamp Dropout	195			
Min Ambient Starting Temp	-20°F/-30°C*			
60 HZ TEST PROCEDURES				
High Potential Test (Volts)				
1 Minute	1,600 V			
1 Second	1,900 V			
Open Circuit Voltage Test (V)	250 - 305			
Short Circuit Current Test (A)				
Secondary Current	Min 1.40 Max 1.70			
Input Current	Min 0.60 Max 0.90			
CORE and COIL Specifications				
Dimension (A)	1.50 in			
Dimension (B)	2.65 in			
Weight	2.5 lb's			
Lead Lengths	12"			
Capacitor Requirement				
Microfarads	7.5 uf			
Volts (Min)	280 V			



Capacitor:	ACG330	Ignitor:	BVS-031
Microfarads:	7.5 uf	Case Temp (Max):	105 °C
Volts (Max):	280 V	BTL Distance (Max):	2 ft
Case Temp (Max):	100 °C		
Height (Max):	2.76 in		
Dia (Max):	1.21 in		



Dry Type Capacitor with Leads

Ordering Information Add Suffix for options

- C - With Capacitor
- K - Prewired, with Capacitor and Bracket Kit
- B - With Welded Bracket, no cap
- CB - With Capacitor and Welded Bracket

* -40°F/-40°C Min Ambient Starting Temp with Venture Lamp
Coil material: Cu

RoHS compliant on all manufactured products after August 1, 2007

Data is based upon tests performed by Venture Lighting in a controlled environment and is representative of relative performance. Actual performance can vary depending on operating conditions. Specifications are subject to change without notice.

11/25/2008 Production



RoHS

