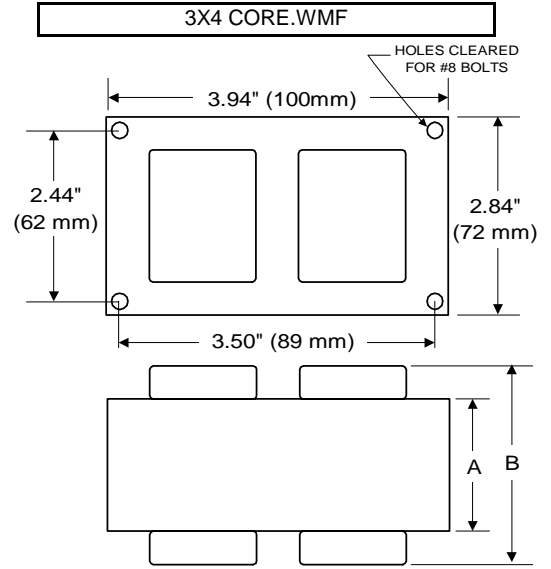


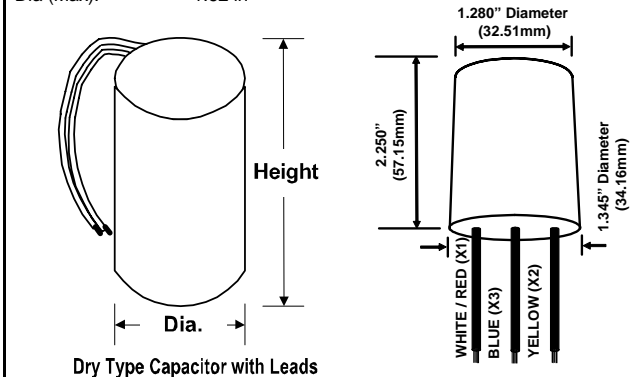
BALLAST SPECIFICATION

150W M102
Pulse Start Metal Halide
V90J7110
60 Hz CWA

Input Volts	120	277	347
Line Current (Amps)			
Operating	1.65	0.70	0.55
Open Circuit	1.40	0.60	0.50
Starting	1.15	0.50	0.40
Recommended Fuse (Amps)	4	2	2
Regulation			
Line Volts	±10%	±10%	±10%
Lamp Watts	±6%	±6%	±6%
Temperature Ratings			
Insulation Class	180 (H)	180 (H)	180 (H)
Coil Temperature Code	D	C	C
Benchtop Coil Rise	86.4	82.4	81.7
Power Factor (Min)	90%	90%	90%
Input Watts	192 W	192 W	192 W
Efficiency	78%	78%	78%
NOM. Open Circuit Voltage	245	245	245
Input Voltage At Lamp Dropout	55	125	145
Min Ambient Starting Temp	-20°F/-30°C*	-20°F/-30°C*	-20°F/-30°C*
60 HZ TEST PROCEDURES			
High Potential Test (Volts)			
1 Minute	2,000 V	2,000 V	2,000 V
1 Second	2,500 V	2,500 V	2,500 V
Open Circuit Voltage Test (V)	220 - 270	220 - 270	220 - 270
Short Circuit Current Test (A)			
Secondary Current			
Min	2.10	2.10	2.10
Max	2.60	2.60	2.60
Input Current			
Min	0.70	0.25	0.20
Max	1.25	0.50	0.40
CORE and COIL Specifications			
Dimension (A)	2.75 in	2.75 in	2.75 in
Dimension (B)	4.10 in	4.10 in	4.10 in
Weight	8.6 lb's	8.6 lb's	8.6 lb's
Lead Lengths	12"	12"	12"
Capacitor Requirement			
Microfarads	16.0 uf	16.0 uf	16.0 uf
Volts (Min)	330 V	330 V	330 V



Capacitor:	ACG301	Ignitor:	BVS-041
Microfarads:	16.0 uf	Case Temp (Max):	105 °C
Volts (Max):	330 V	BTL Distance (Max):	2 ft
Case Temp (Max):	100 °C		
Height (Max):	2.76 in		
Dia (Max):	1.62 in		



Dry Type Capacitor with Leads

MEETS TEMPERATURE EXCLUSION OF PL 110-140

Ordering Information Add Suffix for options

- C - With Capacitor
- K - Prewired, with Capacitor and Bracket Kit
- B - With Welded Bracket, no cap
- CB - With Capacitor and Welded Bracket

* -40°F/-40°C Min Ambient Starting Temp with Venture Lamp
 Coil material: primary Cu and secondary Cu

RoHS compliant on all manufactured products after August 1, 2007

Data is based upon tests performed by Venture Lighting in a controlled environment and is representative of relative performance. Actual performance can vary depending on operating conditions. Specifications are subject to change without notice.

10/8/2008 Production



RoHS

