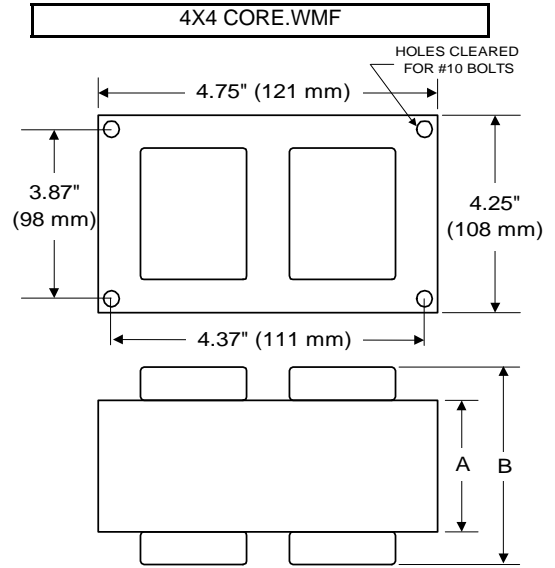




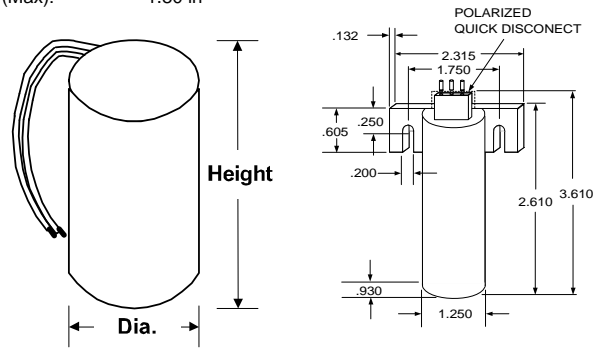
BALLAST SPECIFICATION

400W S51
High Pressure Sodium
V90Z1950
60 Hz CWI C&C

Input Volts	600
Line Current (Amps)	
Operating	0.80
Open Circuit	0.30
Starting	0.25
Recommended Fuse (Amps)	2
Regulation	
Line Volts	±10%
Lamp Watts	±6%
Temperature Ratings	
Insulation Class	180 (H)
Coil Temperature Code	D
Benchtop Coil Rise	
Power Factor (Min) HPF	90
Input Watts	470 W
Efficiency	
NOM. Open Circuit Voltage	190
Input Voltage At Lamp Dropout	450
Min Ambient Starting Temp	-40°F/-40°C
60 HZ TEST PROCEDURES	
High Potential Test (Volts)	
1 Minute	2,000 V
1 Second	2,500 V
Open Circuit Voltage Test (V)	170 - 210
Short Circuit Current Test (A)	
Secondary Current	Min 5.50 Max 6.70
Input Current	Min 0.15 Max 0.35
CORE and COIL Specifications	
Dimension (A)	2.45 in
Dimension (B)	4.30 in
Weight	14.6 lb's
Lead Lengths	12"
Capacitor Requirement	
Microfarads	45.0 uf
Volts (Min)	330 V



Capacitor:	ACG222	Ignitor:	BVS-005
Microfarads:	45.0 uf	Case Temp (Max):	105 °C
Volts (Max):	330 V	BTL Distance (Max):	2 ft
Case Temp (Max):	100 °C		
Height (Max):	4.67 in		
Dia (Max):	1.80 in		



Dry Type Capacitor with Leads

Ordering Information Add Suffix for options

- C - With Dry Capacitor
- CB - With Dry Capacitor and Welded Bracket
- B - With Welded Bracket, no Capacitor
- K - Prewired, with Dry Capacitor and Bracket Kit

Data is based upon tests performed by Venture Lighting in a controlled environment and is representative of relative performance. Actual performance can vary depending on operating conditions. Specifications are subject to change without notice.

4/20/2011 Production Coil material: primary Cu and secondary Cu



RoHS

