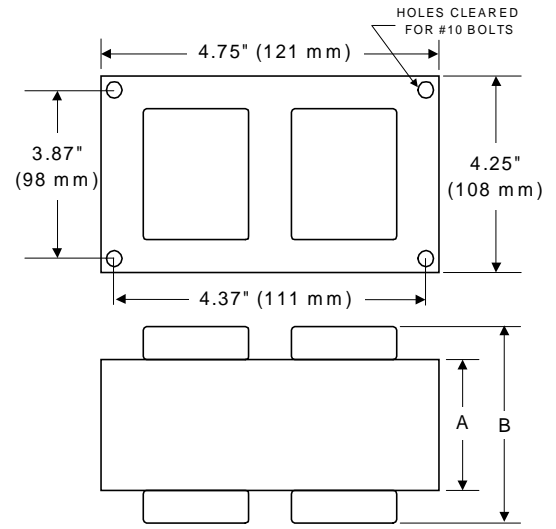


400W S51
High Pressure Sodium
V90Y1912T
60 Hz CWA

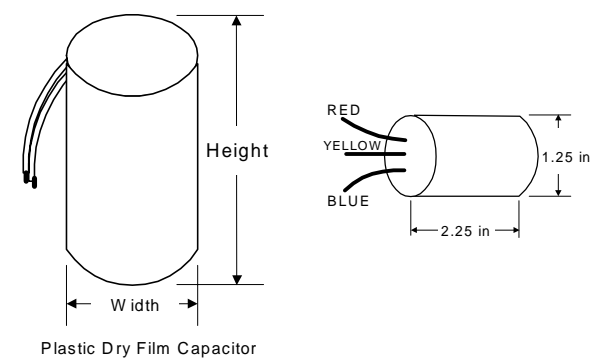
Input Volts	480
Line Current (Amps)	
Operating	1.00
Open Circuit	0.40
Starting	0.80
Regulation	
Line Volts	±10%
Lamp Watts	±13%
UL Temperature Ratings	
Insulation Class	H
Coil Temperature Code	C
Benchtop Coil Rise	81.9
Input Watts	464 W
NOM. Open Circuit Voltage	195
Power Factor	90%
Current Crest Factor	1.63
Input Voltage At Lamp Dropout	370
MIN. Ambient Starting Temp.	-40°F -40°C
60 HZ TEST PROCEDURES	
High Potential Test (Volts)	
1 Minute	2,000 V
1 Second	2,400 V
Open Circuit Voltage Test (V)	175 - 215
Short Circuit Current Test (A)	
Secondary Current	Min 6.35
	Max 7.75
Input Current	Min 0.55
	Max 0.90
Recommended Fuse (Amps)	3
CORE and COIL Specifications	
Dimension (A)	2.60 in
Dimension (B)	4.45 in
Weight (lbs.)	15.0 lb's
Lead Lengths	12"
CAPACITOR Specifications	
Microfarads	55.0 uf
Volts (min.)	240 V

4X4 CORE - HX, CWA & CWI UNITS



Capacitor: ACG255 **Ignitor: BVS-005-A**

Temp Rating: 100 °C Temp: 105 °C
Height: 4.87 in BTL: 15 ft
Dia/Oval Dim 1.75 in



Ordering Information Add Suffix for options

- C - With Capacitor
- K - With Capacitor and Bracket Kit
- B - With Welded Bracket no cap

Data is based upon tests performed by Venture Lighting in a controlled environment and is representative of relative performance. Actual performance can vary depending on operating conditions. Specifications are subject to change without notice

12/8/00 **Production**

